

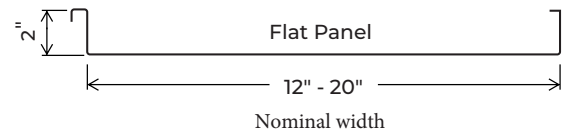
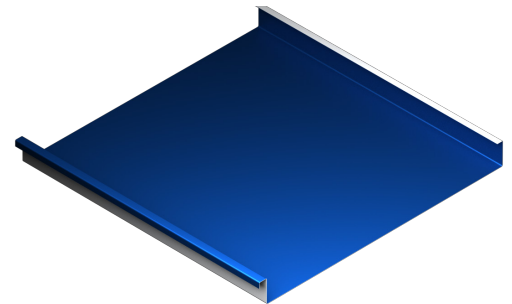
CMP S-2500

COMMERCIAL & INDUSTRIAL



CMP S-2500 PANEL

The CMP S-2500 “considered the stalwart of metal roof panels” maintains a profile with more than fifty years of history in the field. The S-2500’s heavy duty 2” high side seams include factory applied sealant (upon request) and are mechanically locked to provide the ultimate watertight seal, while creating a monolithic joint that will stand the test of time. This versatile roof system can be installed over solid substrates or structural framing and can accommodate roof slopes as low as ½” per foot when using the double-locked seam profile, making it ideal for even the most complicated commercial and industrial project.

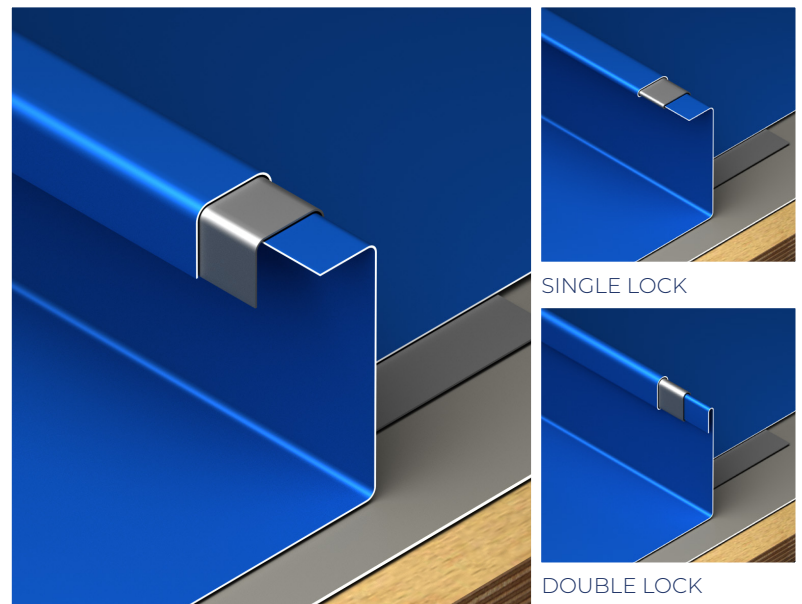


PANEL SPECIFICATIONS

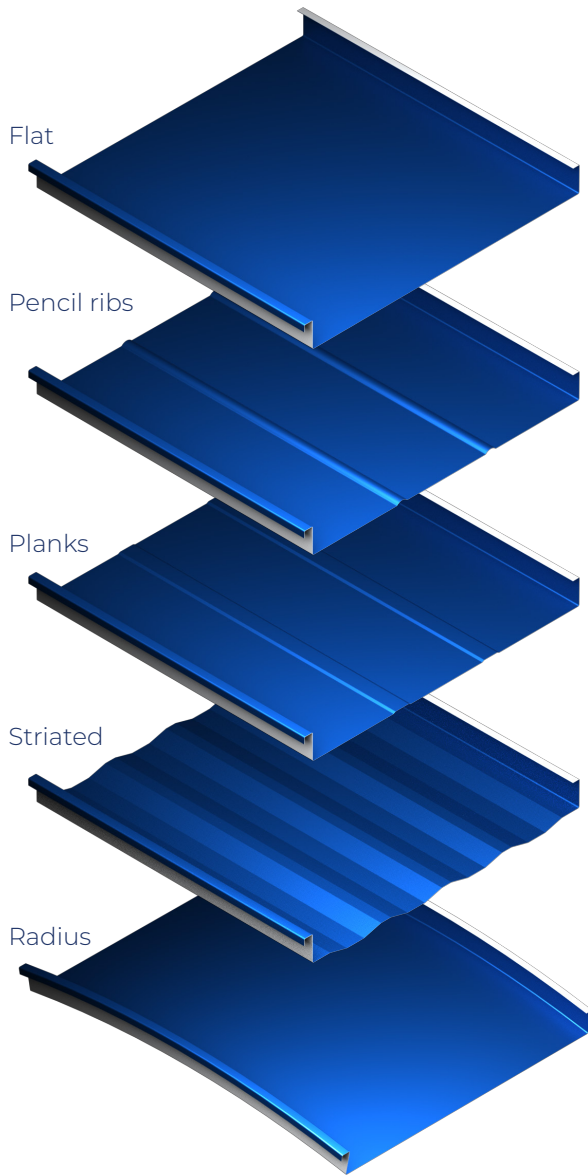
- Widths – 12"-20", 16" standard
- Seam Height – 2"
- Made to exact lengths
- Single or double locked
- Radius / Curved panels
- 40+ different color/coating options

MATERIALS AVAILABLE

- Steel – 22ga and 24ga
- Aluminum - .032" & .040"



UNSEAMED (Fixed clip shown)



PANEL OPTIONS

Flat, Pencil Ribs, Planks
Striated, Radius / Curved

COLORS AND COATINGS

See all 40+ colors and coatings on the CMP or Alumaklad/Colorklad color charts at www.cmpmetalsystems.com

FINISH AND PRODUCT WARRANTIES

- High quality PVDF coating by Sherwin-Williams
- Aluminum and Steel substrate up to 35 year warranty
- Contact us for more detailed information

INSTALLATION

Concealed fastener clip system

Mechanically seamed

Can be installed over steel or plywood decking with proper underlayment, or over structural framing

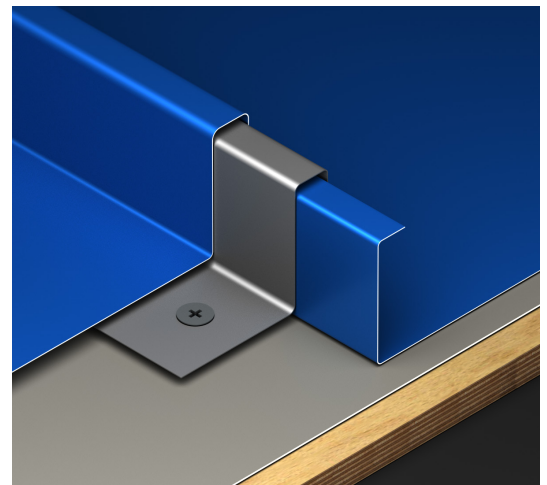
MINIMUM SLOPE / ROOF PITCH

1/2":12



TESTING

- UL 580-06 Wind Uplift Resistance
- UL 1897-1998,99 Wind Uplift Resistance
- UL 2218 Hail Impact
- ASTM E-1592 Uniform Pressure Test
- ASTM E1680 Air Infiltration
- ASTM E1646 Water Penetration
- ASTM D 822, G-23 & D 2244 Color Change Resistance
- Florida Building Code 2004, 2007
- ASTM E 2140 Static Water Pressure Head
- ASTM D 2247-87 Humidity Resistance
- ASTM D 1308-85 Chemical Resistance
- ASTM D 968-81 Abrasion Resistance
- ASTM D 659-86 Chalking Resistance
- ASTM E 84 Surface Burning Class "A"
- ASTM B 117-85 Salt Spray Resistance



(Fixed clip shown)