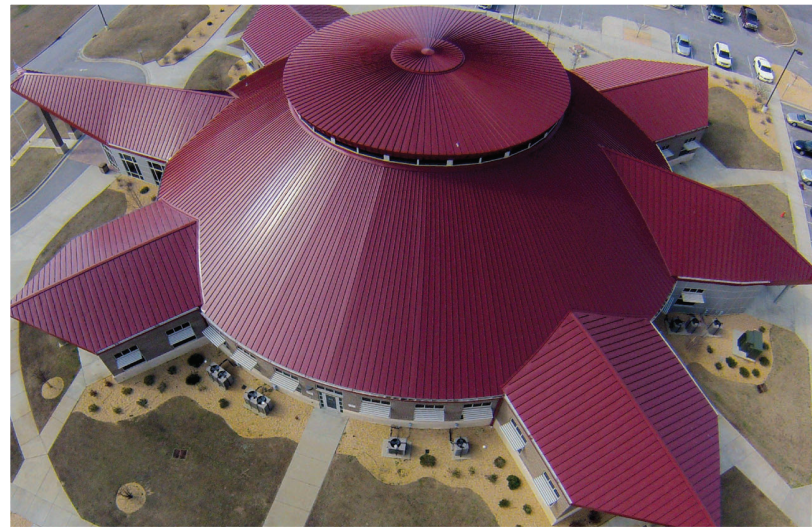


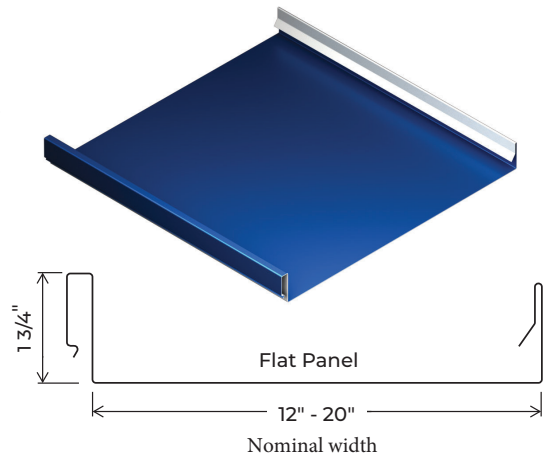
CMP S-2000

COMMERCIAL, STRUCTURAL, AND RESIDENTIAL



CMP S-2000 PANEL

High-performance and elegance come together with the CMP S-2000. With its unique interlocking seam design, the CMP S-2000 panel is the ultimate mix of simple installation and impressive structural quality. The 1-3/4" tall standing seams form elegant shadow lines creating the aesthetic beauty that traditional standing seam systems are known for. Complete with a series of engineered retainer clip options, the CMP S-2000 can accommodate a variety of applications including residential, commercial, institutional, and structural.

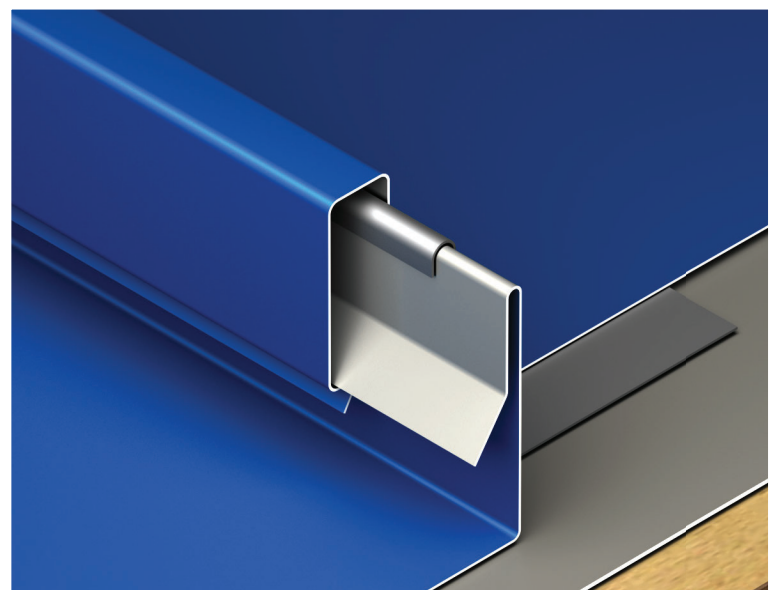


PANEL SPECIFICATIONS

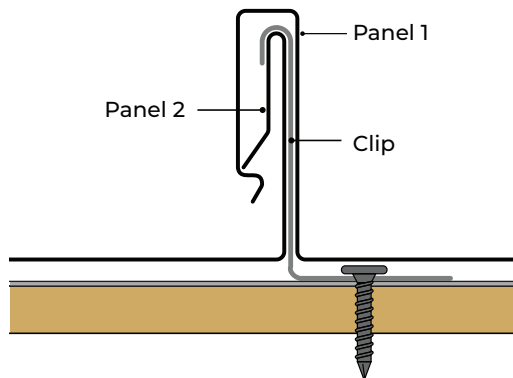
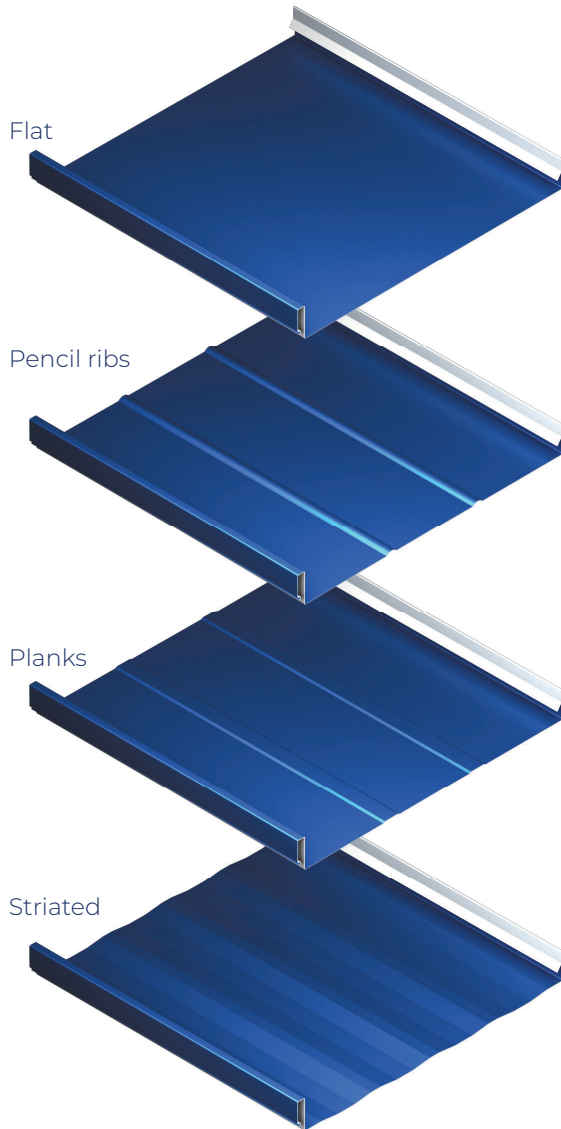
- Widths – 12"-20", 16" standard
- Seam Height – 1-3/4"
- Made to exact lengths
- Snap lock installation
- On-site roll forming available
- 40+ different color/coating options

MATERIALS AVAILABLE

- Steel – 22ga and 24ga
- Aluminum - .032" & .040"



PANEL INTERLOCK DETAIL



PANEL OPTIONS

Flat, Pencil Ribs, Planks, Striated

COLORS AND COATINGS

See all 40+ colors and coatings on the CMP or Alumaklad/Colorklad color charts at www.cmpmetalsystems.com

FINISH AND PRODUCT WARRANTIES

- High quality PVDF coating by Valspar
- Aluminum and Steel substrate up to 35 year warranty
- Contact us for more detailed information

INSTALLATION

- Concealed fastener clip system
- Snap lock seams
- Can be installed over steel or plywood decking with proper underlayment, or over structural framing

MINIMUM SLOPE / ROOF PITCH

3:12

TESTING

- ASTM E-1592 Wind Uplift Resistance
- ASTM E1680 Air Infiltration
- ASTM E-72 Flexural Moment Capacity
- ASTM E1646 Water Penetration
- UL (580/1897) Wind Uplift Resistance

