

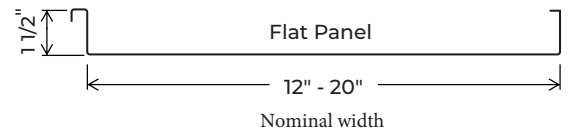
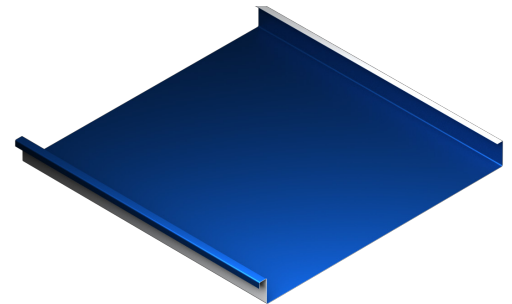
CMP S-1500

COMMERCIAL & RESIDENTIAL



CMP S-1500 PANEL

One of our most popular panel systems, the CMP S-1500 is consistently used on a wide variety of homes and architectural commercial projects. The mechanically crimped side seams can be single locked for most applications, or double locked when taking on blowing rain or snowy environments. This versatile panel can also be curved to fit even the most complicated barrel roofs. These attributes come together to make it perfect for both light commercial and residential applications.

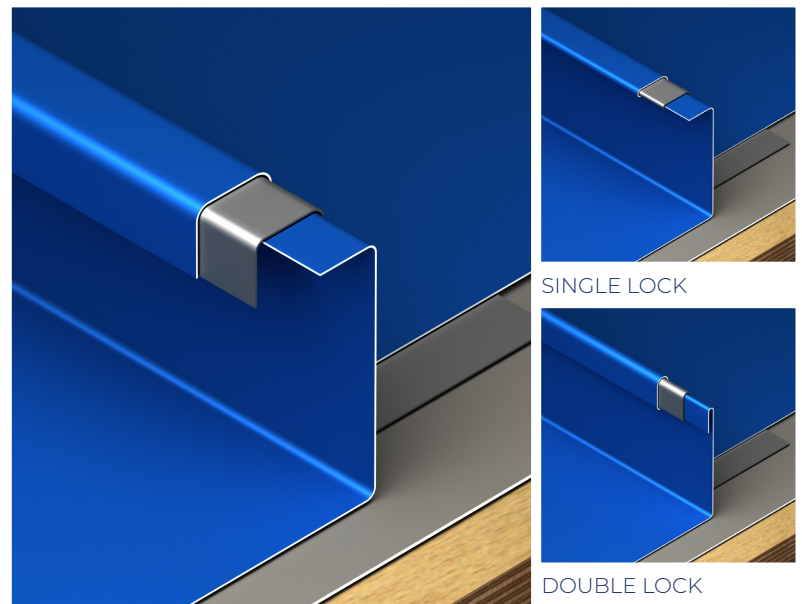


PANEL SPECIFICATIONS

- Widths – 12"- 20", 12" and 16" Standard
- Seam Height – 1.5" Standard
- 1" Seam Height available upon request
- Made to exact lengths
- Single or double locked
- Radius / Curved panels
- 40+ different color/coating options

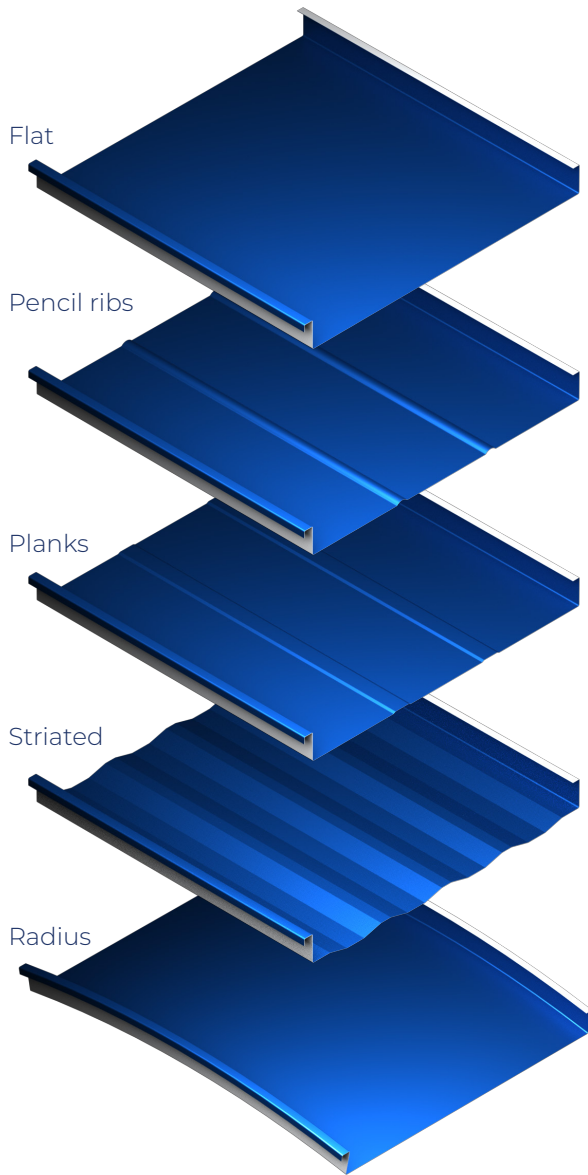
MATERIALS AVAILABLE

- Steel – 24ga and 26ga
- Aluminum - .032" & .040"
- Copper – 16 oz



UNSEAMED

DOUBLE LOCK



PANEL OPTIONS

Flat, Pencil Ribs, Planks
Striated, Radius / Curved

COLORS AND COATINGS

See all 40+ colors and coatings on the CMP or Alumaklad/Colorklad color charts at www.cmpmetalsystems.com

FINISH AND PRODUCT WARRANTIES

- High quality PVDF coating by Valspar
- Aluminum and Steel substrate up to 35 year warranty
- Contact us for more detailed information

INSTALLATION

Concealed fastener clip system

Mechanically seamed

Can be installed over steel or plywood decking with proper underlayment

MINIMUM SLOPE / ROOF PITCH

2:12



TESTING

- ASTM E-1592 Wind Uplift Resistance
- ASTM E1680 Air Infiltration
- ASTM E1646 Water Penetration
- TAS 100-95 Wind Driven Rain
- UL 580-06 Wind Uplift Resistance
- UL 1897-2012 Wind Uplift Resistance
- UL 2218 Hail Impact
- IBHS "Fortified & Safe Home" Approval
- Florida Product Approval 61G20-3 HVHZ
- PA 125 Dade County Wind Uplift
- TAS 125-03 Application Standard
- TAS 110-00 Accelerated Weathering
- ASTM E 84 Surface Burning Class "A"
- ASTM G 155 / Salt Spray ASTM B 117

