

CONSTRUCTION METAL PRODUCTS INC.

Metal Roofing | Metal Walls | Custom Fabrication

SYSTEM: CMP TEE PANEL TRIM DRAWINGS



CMP

Statesville, NC | Myrtle Beach, SC | Charleston, SC
704-871-8704 | questions@cmpmetalsystems.com
www.cmpmetalsystems.com

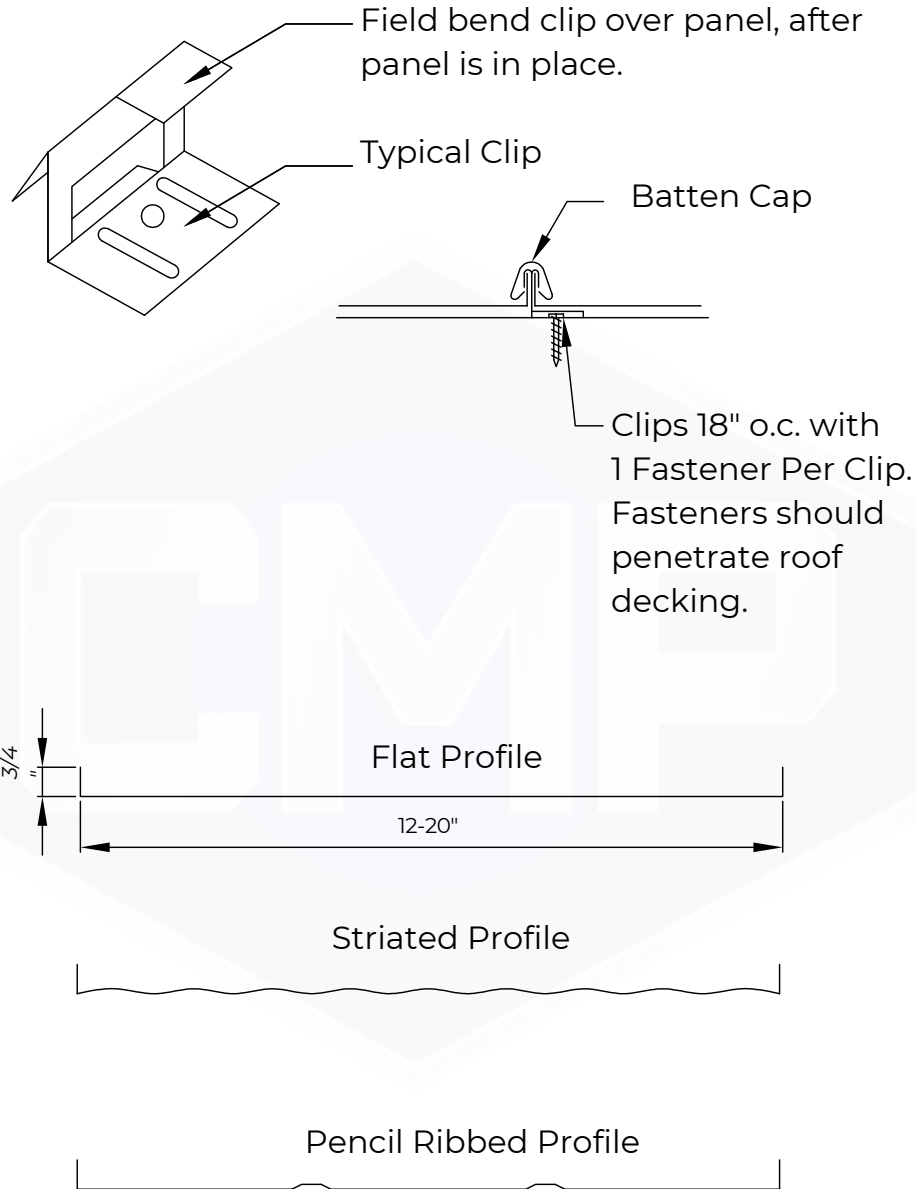


CONTENTS

- **PANEL & CLIP PROFILE..... 3**
- **PANEL SEALANT..... 4**
- **EAVE FLASHING WITH GUTTER..... 5**
- **LOCKING EAVE..... 6**
- **HIGH EAVE..... 7**
- **GABLE END..... 8**
- **HIP/RIDGE..... 9**
- **VENTED RIDGE..... 10**
- **VALLEY..... 11**
- **ROOF TO WALL..... 12**
- **PITCHBREAK FLASHING..... 13**



PANEL & CLIP PROFILE



NOTE: STRIATED PROFILE IS STANDARD

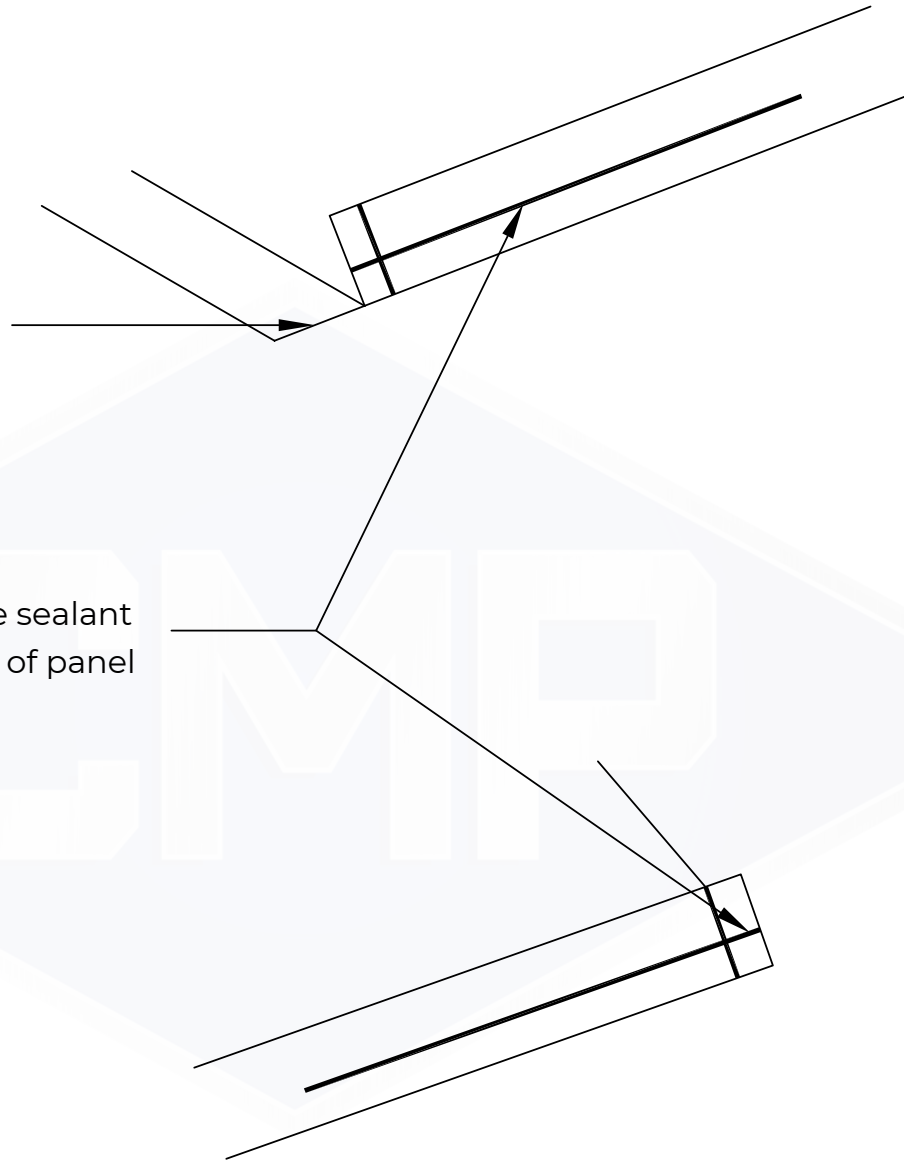
| | | |
|---|------------|----------------------|
| DETAIL: PANEL & CLIP PROFILE | CMP | SCALE: |
| SYSTEM: CMP TEE PANEL | | DRAWING NO: 1 |



PANEL SEALANT

Field notch & hem
under eave
flashing.

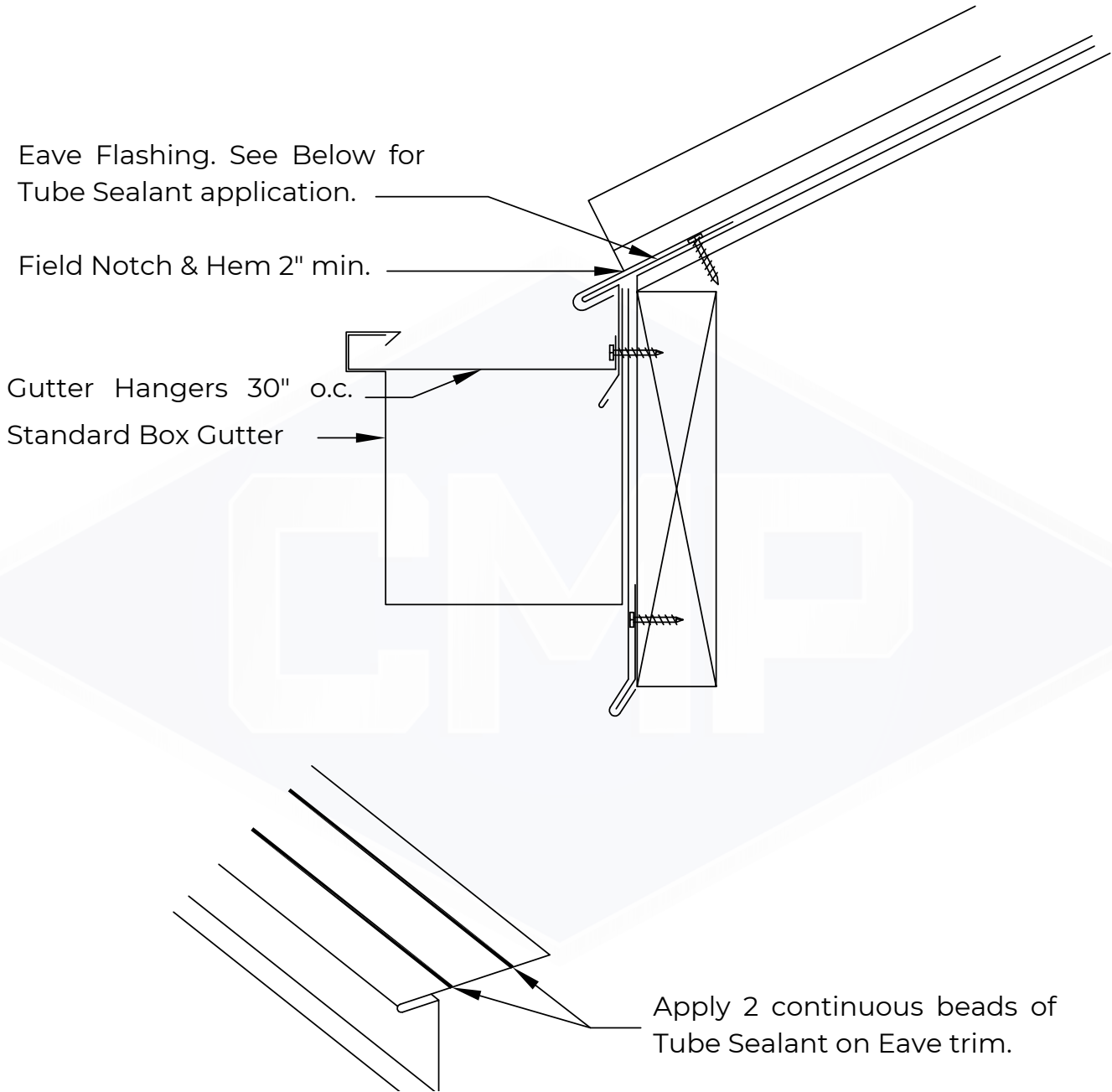
Apply tube sealant
for first 10" of panel



| | | |
|------------------------------|------------|----------------------|
| DETAIL: PANEL SEALANT | CMP | SCALE: |
| SYSTEM: CMP TEE PANEL | | DRAWING NO: 2 |



EAVE FLASHING WITH GUTTER



| | | |
|--|------------|----------------------|
| DETAIL: EAVE FLASHING WITH GUTTER | CMP | SCALE: |
| SYSTEM: CMP TEE PANEL | | DRAWING NO: 3 |

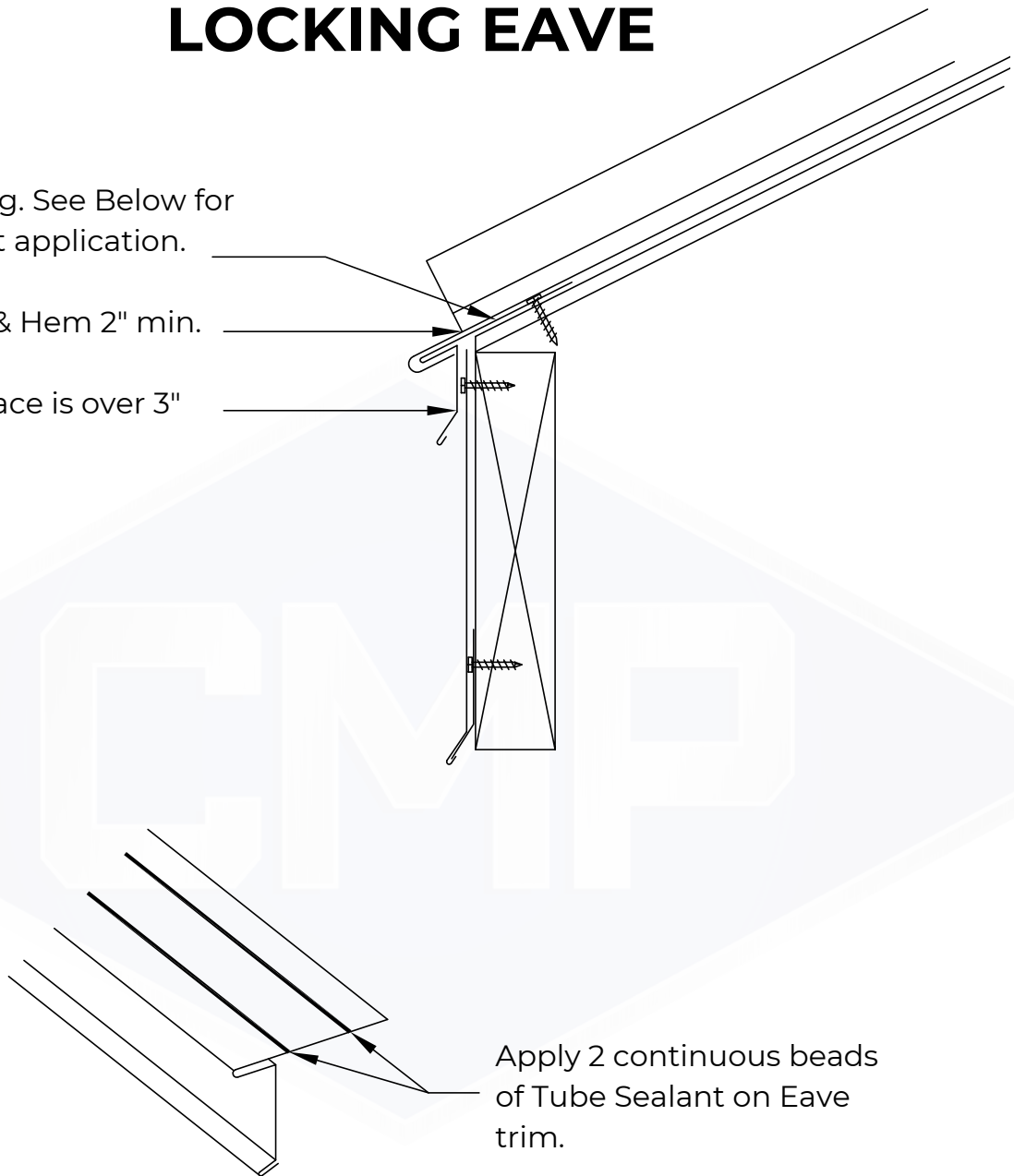


LOCKING EAVE

Eave Flashing. See Below for Tube Sealant application.

Field Notch & Hem 2" min.

Use cleat if face is over 3"

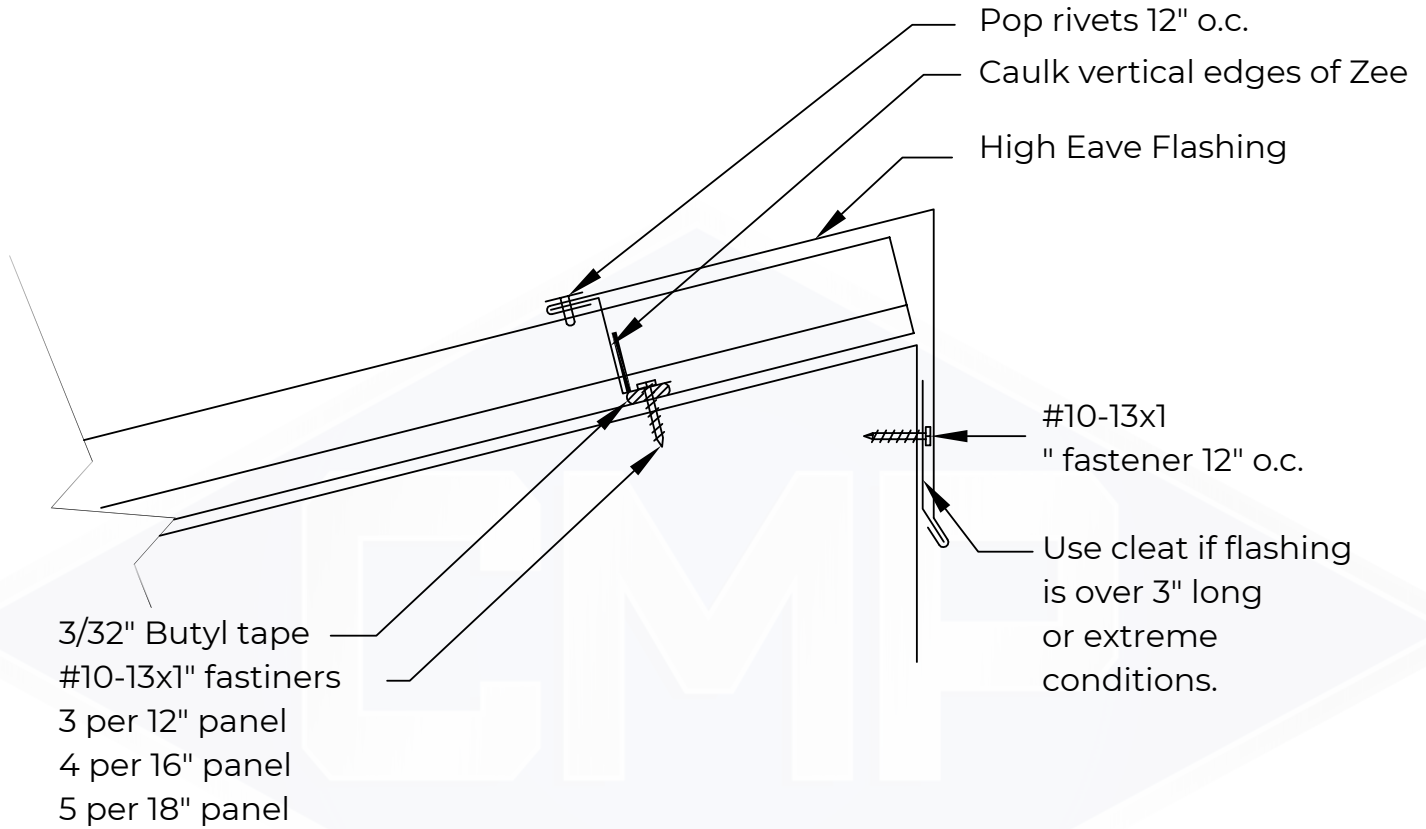


Apply 2 continuous beads of Tube Sealant on Eave trim.

| | | |
|------------------------------|------------|----------------------|
| DETAIL: LOCKING EAVE | CMP | SCALE: |
| SYSTEM: CMP TEE PANEL | | DRAWING NO: 4 |



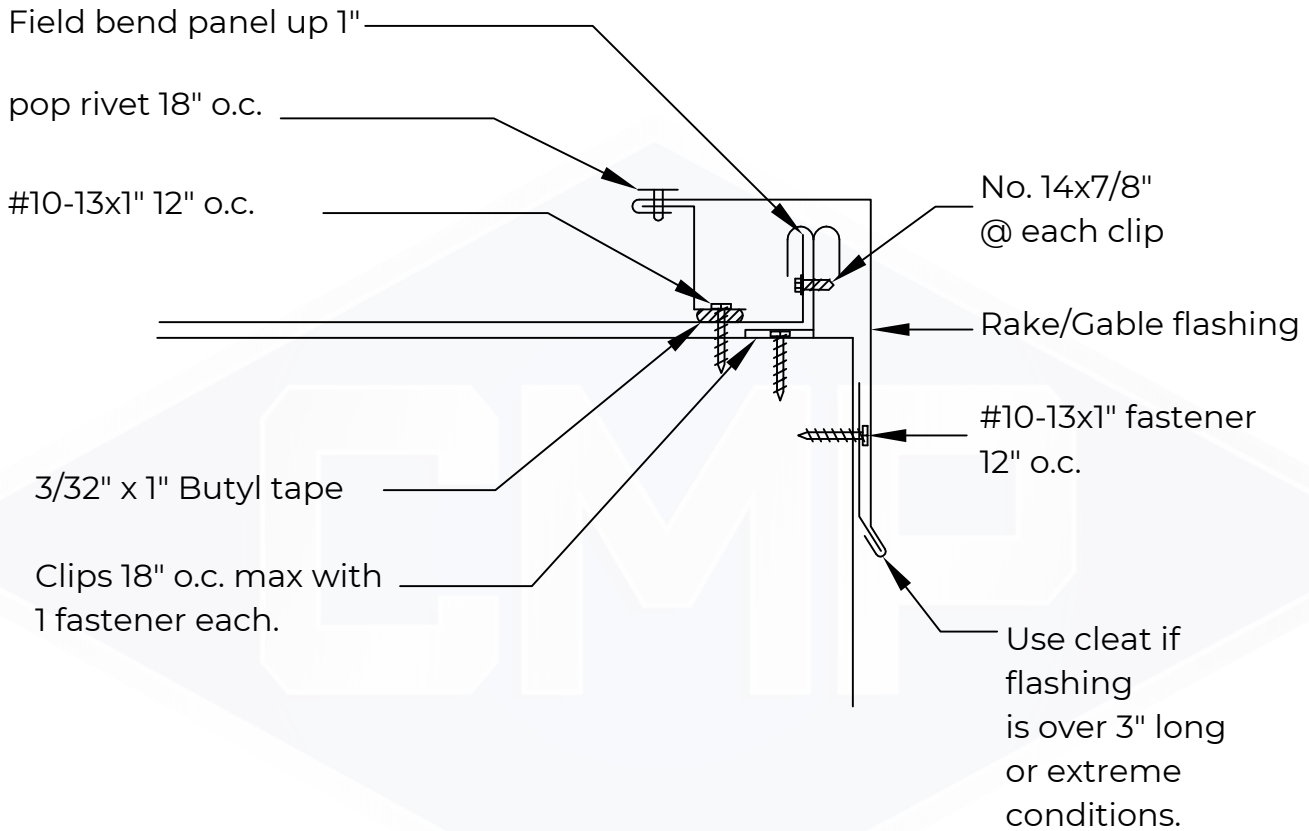
HIGH EAVE FLASHING



| | | |
|-----------------------------------|------------|----------------------|
| DETAIL: HIGH EAVE FLASHING | CMP | SCALE: |
| SYSTEM: CMP TEE PANEL | | DRAWING NO: 5 |



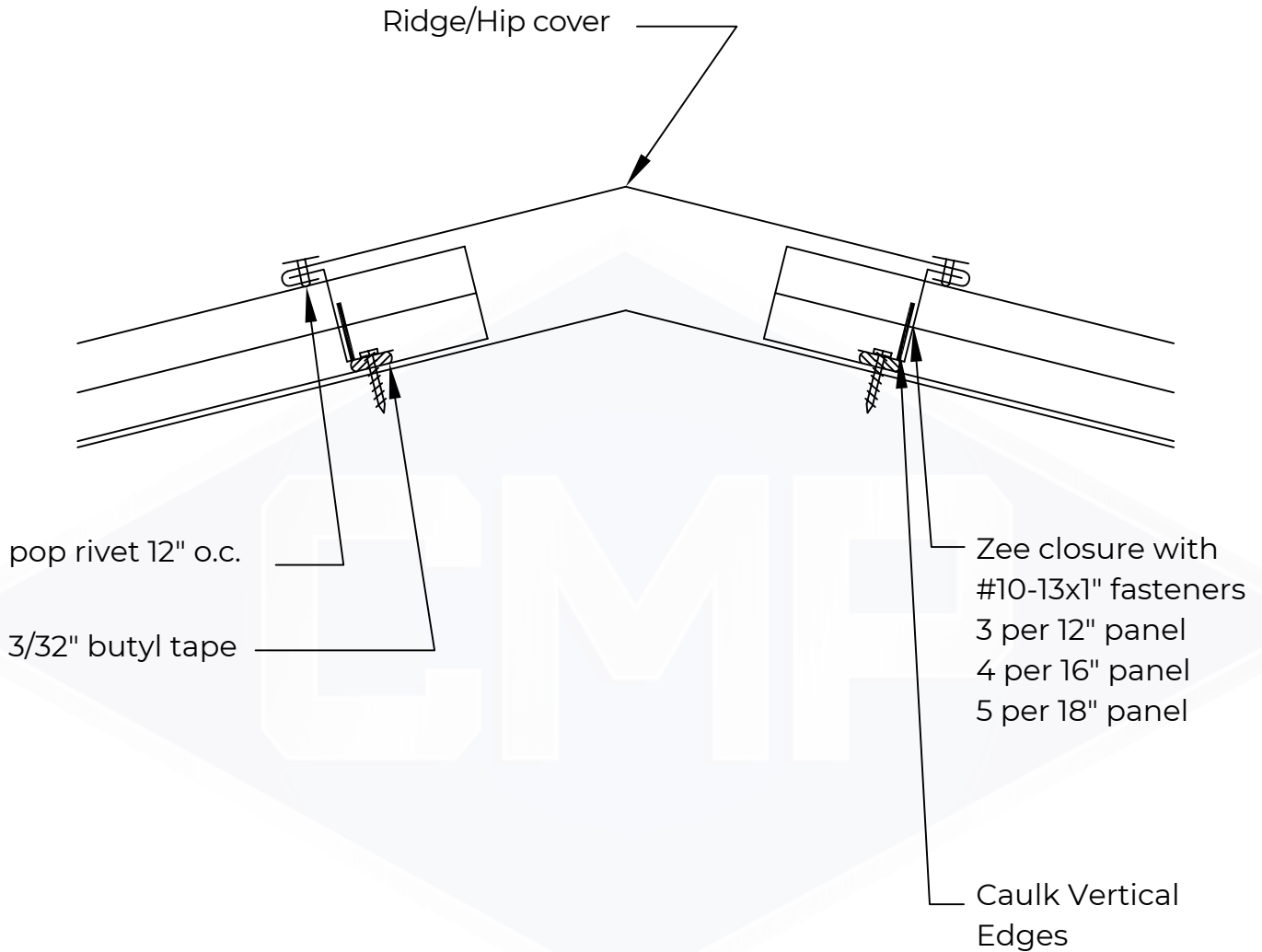
RAKE/GABLE FLASHING



| | | |
|------------------------------------|------------|----------------------|
| DETAIL: RAKE/GABLE FLASHING | CMP | SCALE: |
| SYSTEM: CMP TEE PANEL | | DRAWING NO: 6 |

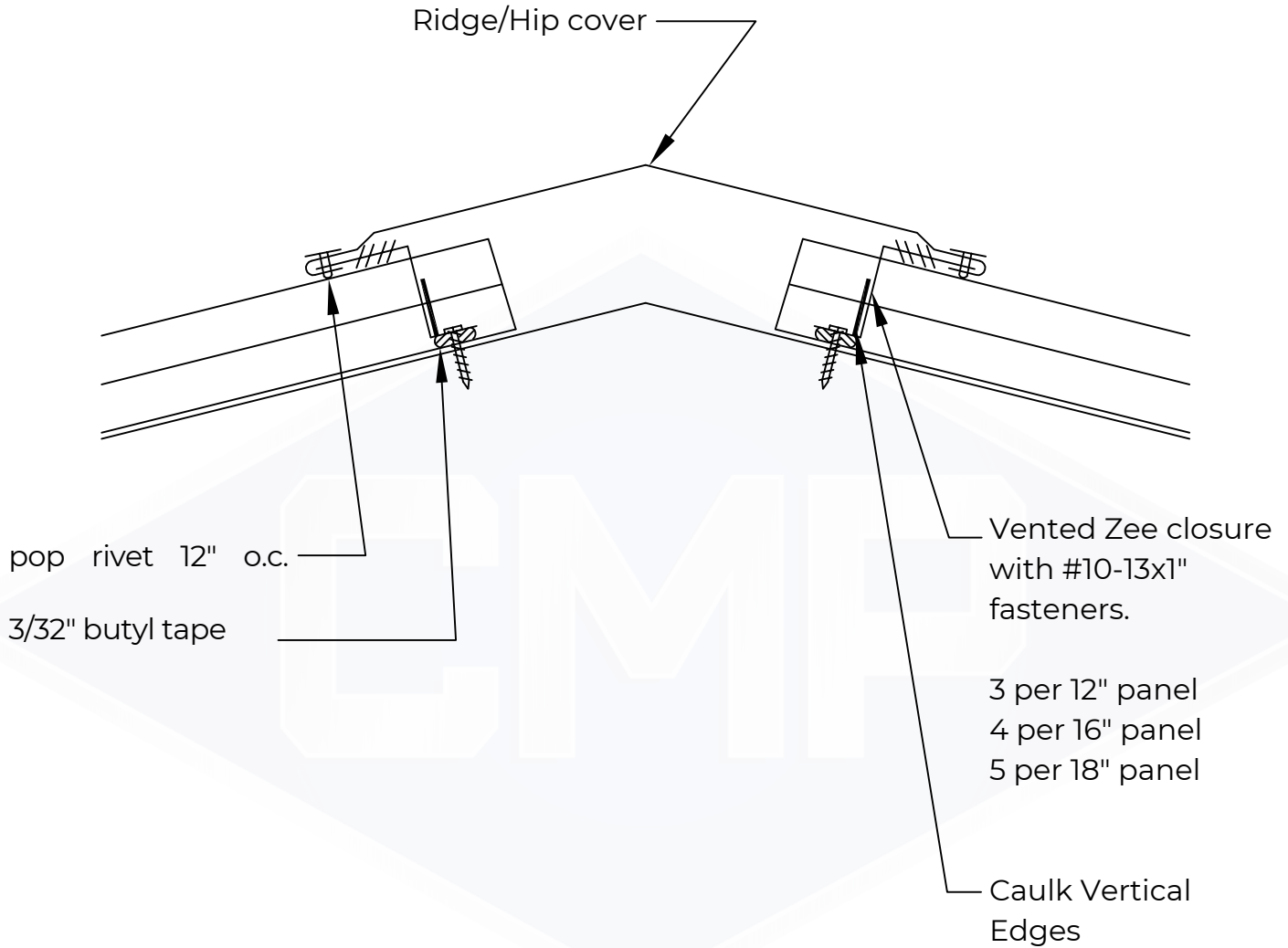


RIDGE/HIP COVER



| | | |
|--------------------------------|------------|----------------------|
| DETAIL: RIDGE/HIP COVER | CMP | SCALE: |
| SYSTEM: CMP TEE PANEL | | DRAWING NO: 7 |

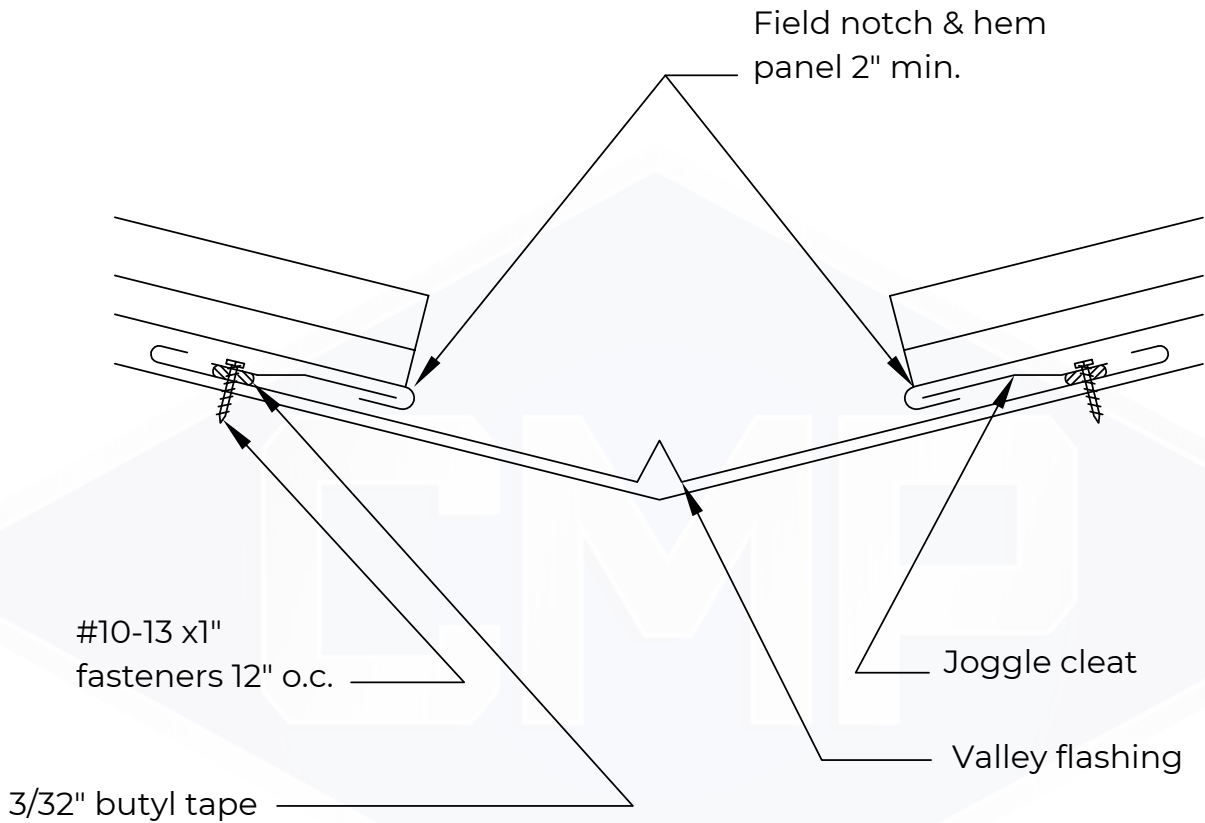
VENTED RIDGE



| | | |
|------------------------------|------------|----------------------|
| DETAIL: VENTED RIDGE | CMP | SCALE: |
| SYSTEM: CMP TEE PANEL | | DRAWING NO: 8 |

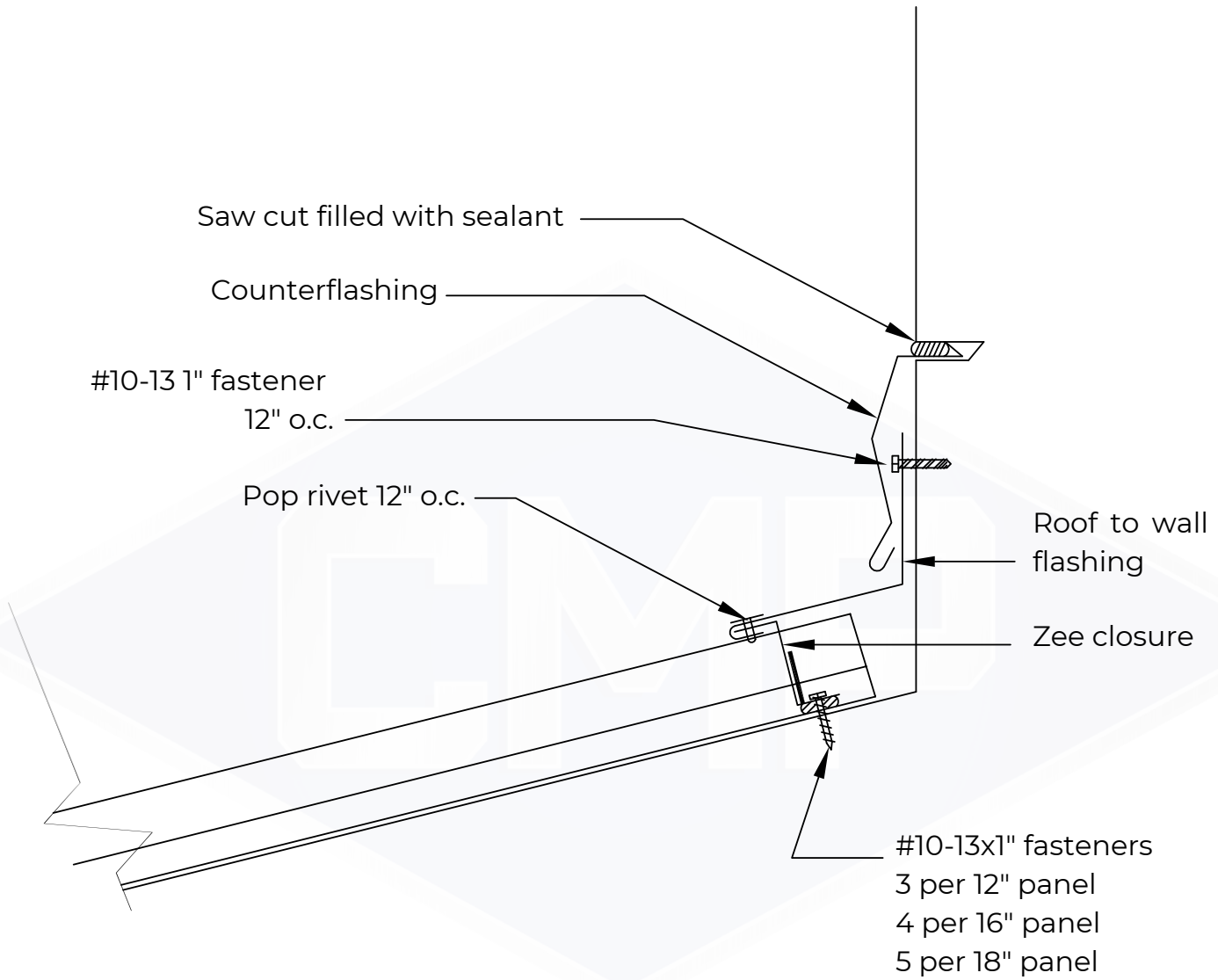


VALLEY FLASHING



| | | |
|--------------------------------|------------|----------------------|
| DETAIL: VALLEY FLASHING | CMP | SCALE: |
| SYSTEM: CMP TEE PANEL | | DRAWING NO: 9 |

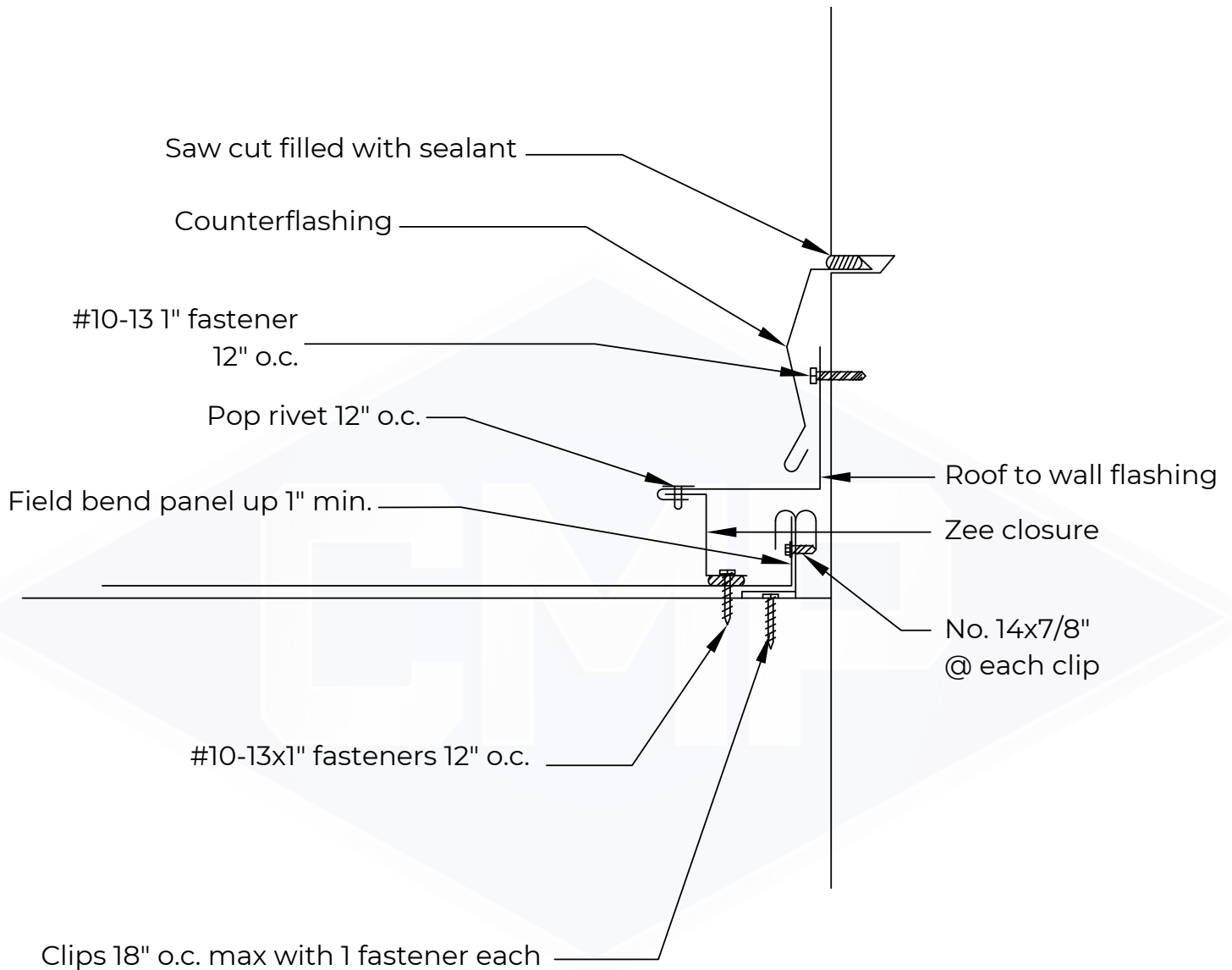
ROOF TO WALL FLASHING



| | | |
|--------------------------------------|------------|-----------------------|
| DETAIL: ROOF TO WALL FLASHING | CMP | SCALE: |
| SYSTEM: CMP TEE PANEL | | DRAWING NO: 10 |



PITCHBREAK FLASHING



| | | |
|------------------------------------|------------|-----------------------|
| DETAIL: PITCHBREAK FLASHING | CMP | SCALE: |
| SYSTEM: CMP TEE PANEL | | DRAWING NO: 11 |



CONSTRUCTION METAL PRODUCTS INC.

Metal Roofing | Metal Walls | Custom Fabrication

FIND OUT MORE ABOUT CMP



704-871-8704



questions@cmpmetalsystems.com



2204 West Front Street Statesville, NC 28677



www.cmpmetalsystems.com



www.facebook.com/ConstructionMetalProducts