

CONSTRUCTION METAL PRODUCTS INC.

Metal Roofing | Metal Walls | Custom Fabrication

SYSTEM: CMP SERIES 2000 DRAWINGS



CMP

Statesville, NC | Myrtle Beach, SC | Charleston, SC
704-871-8704 | questions@cmpmetalsystems.com
www.cmpmetalsystems.com

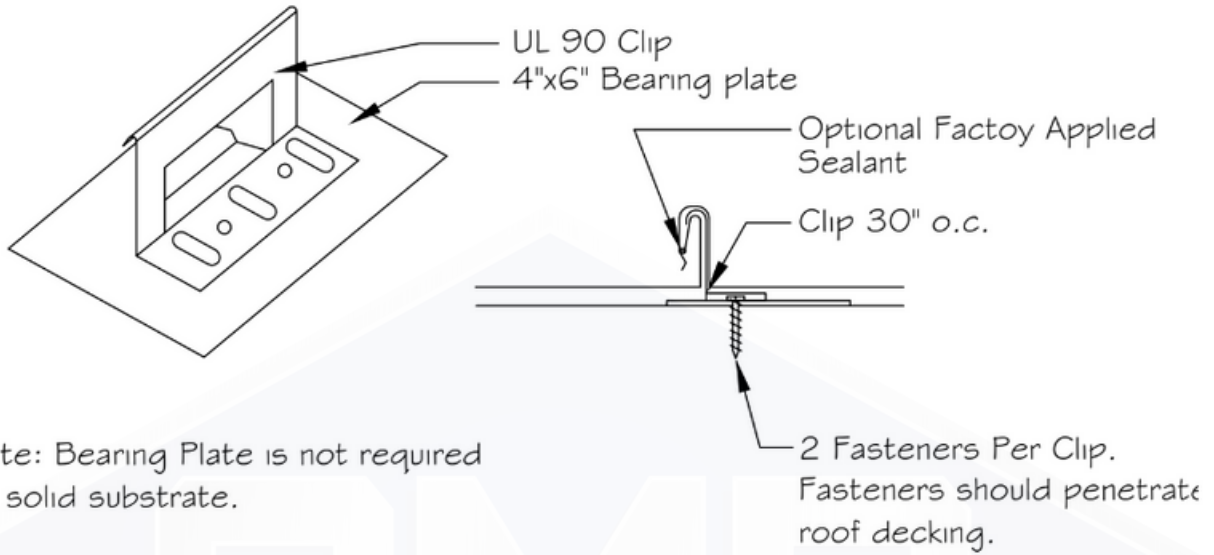


CONTENTS

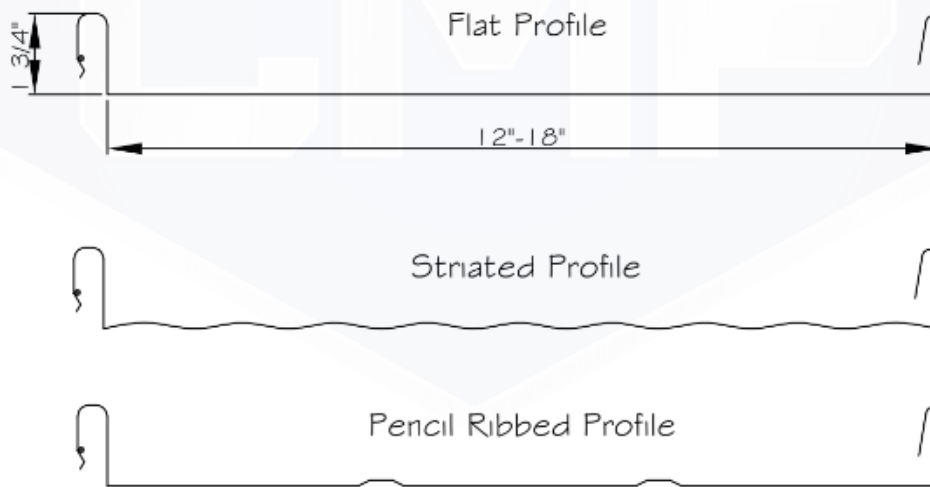
- **PANEL & CLIP PROFILE 3**
- **PANEL SEALANT 4**
- **EAVE FLASHING WITH GUTTER 5**
- **LOCKING EAVE 6**
- **HIGH EAVE 7**
- **GABLE END 8**
- **HIP/RIDGE 9**
- **VENTED RIDGE 10**
- **VALLEY 11**
- **ROOF TO WALL 12**
- **PITCHBREAK FLASHING 13**



PANEL & CLIP PROFILE



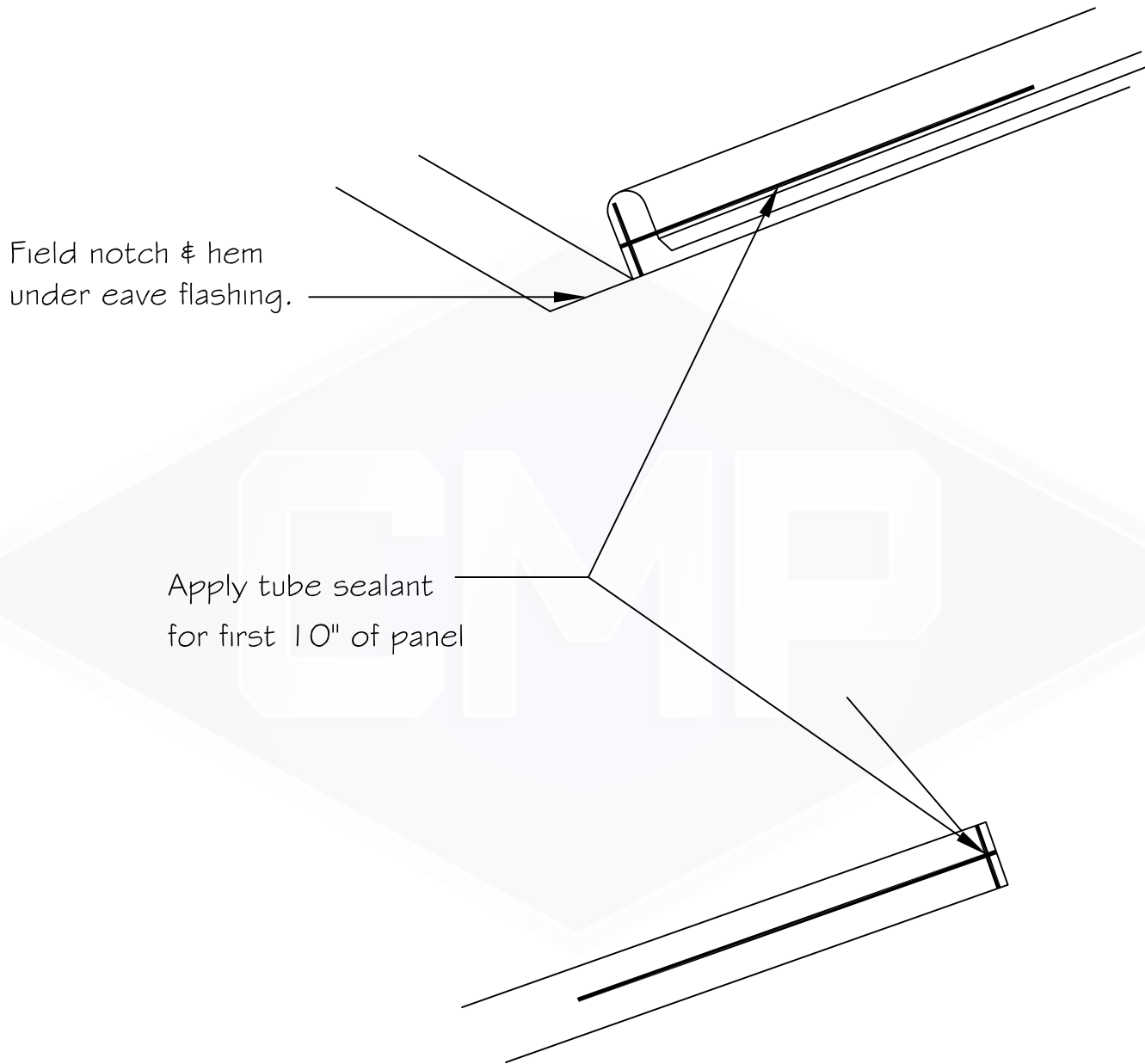
Note: Bearing Plate is not required on solid substrate.



Note: Striated Profile is Standard

DETAIL: PANEL & CLIP PROFILE	CMP	SCALE:
SYSTEM: CMP SERIES 2000		DRAWING NO: 1

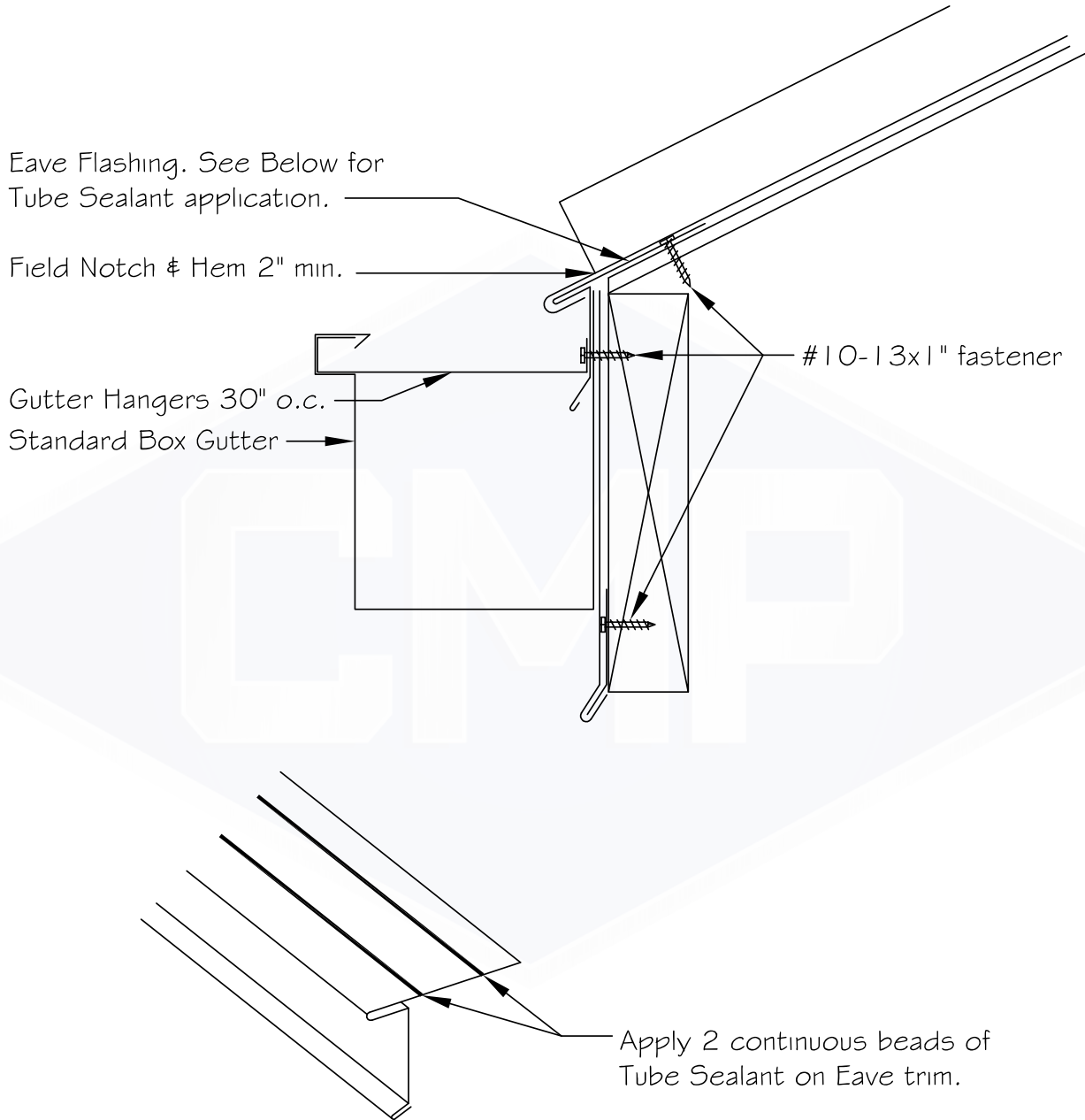
PANEL SEALANT



DETAIL: PANEL SEALANT	CMP	SCALE:
SYSTEM: CMP SERIES 2000		DRAWING NO: 2



EAVE FLASHING WITH GUTTER



DETAIL: EAVE FLASHING W/ GUTTER	CMP	SCALE:
SYSTEM: CMP SERIES 2000		DRAWING NO: 3

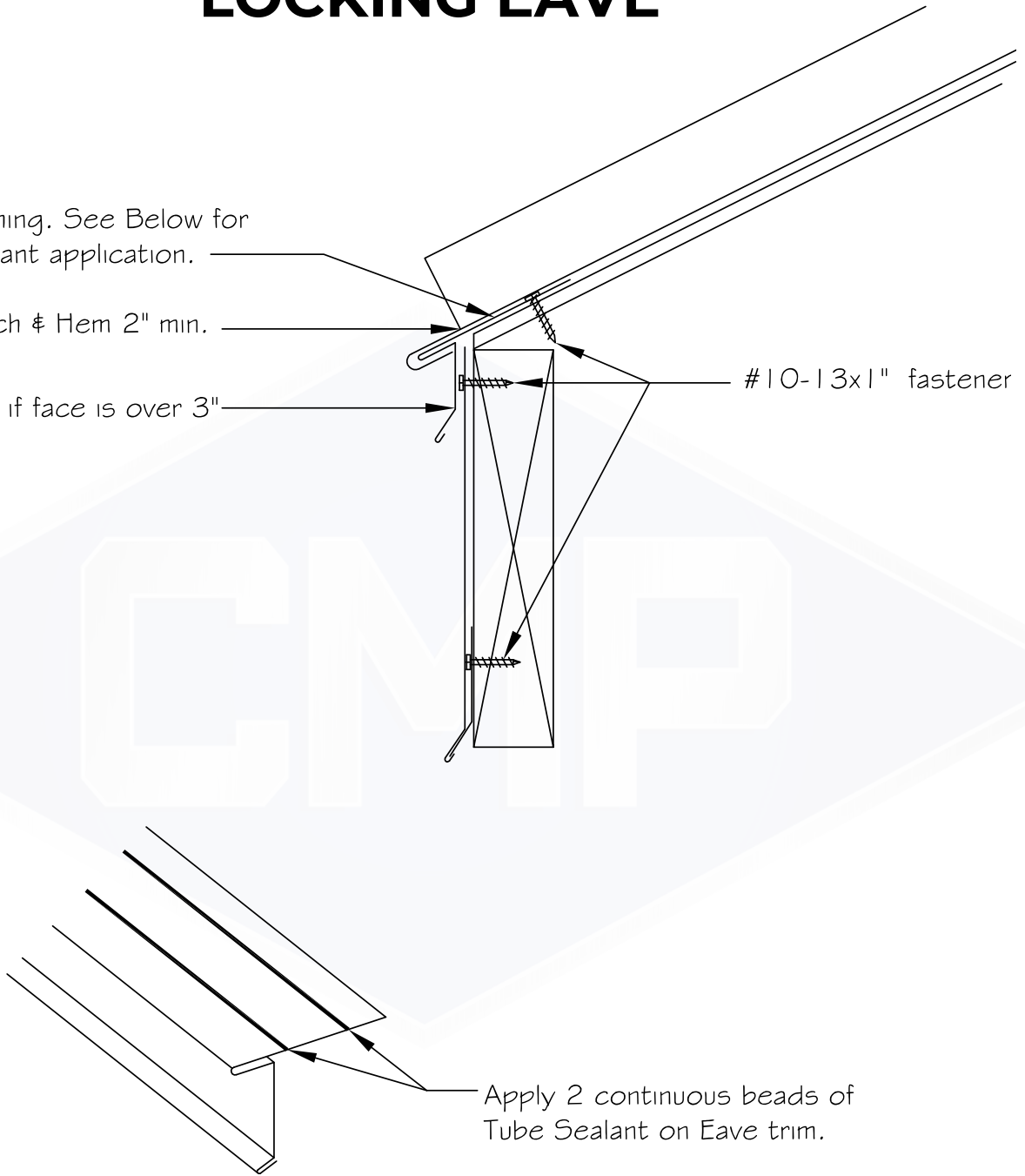
LOCKING EAVE

Eave Flashing. See Below for
Tube Sealant application.

Field Notch & Hem 2" min.

Use cleat if face is over 3"

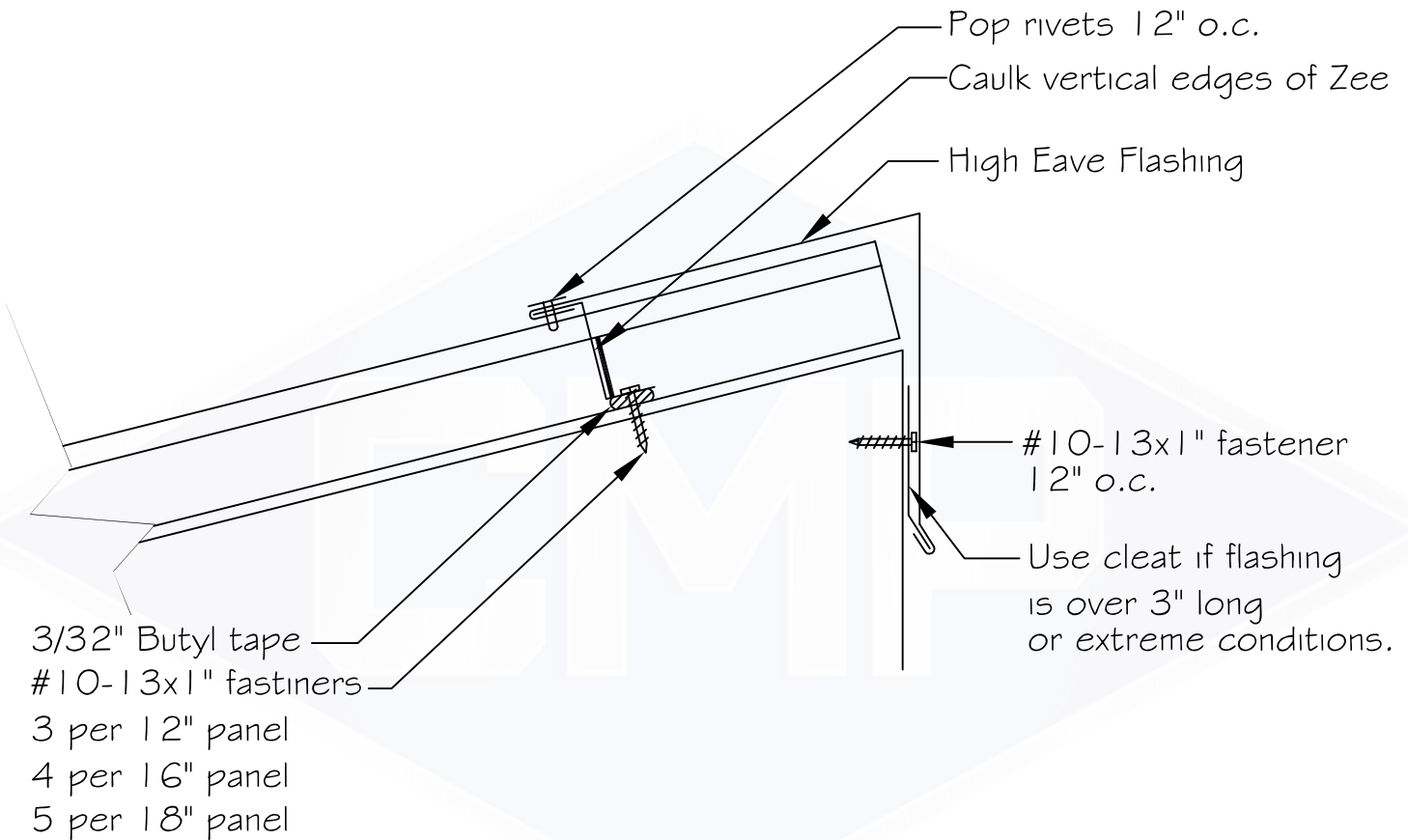
#10-13x1" fastener



DETAIL: LOCKING EAVE	CMP	SCALE:
SYSTEM: CMP SERIES 2000		DRAWING NO: 4



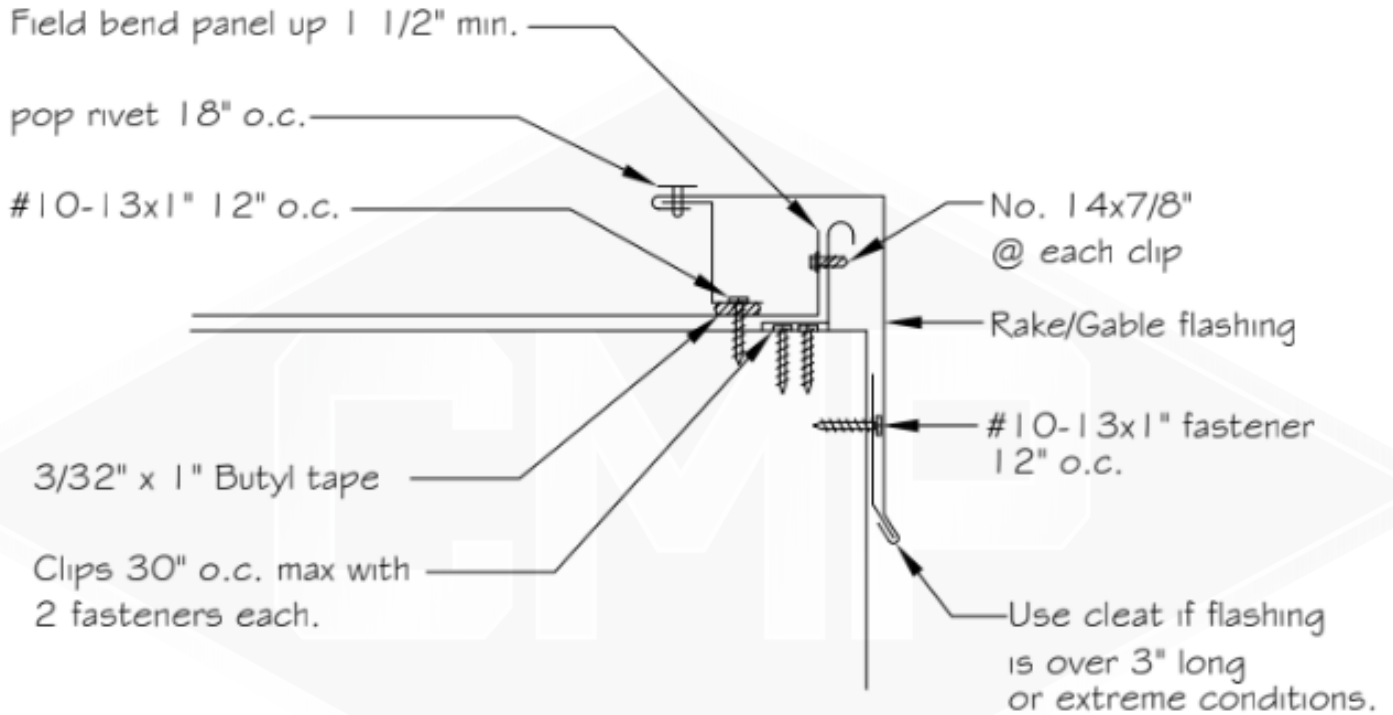
HIGH EAVE FLASHING



DETAIL: HIGH EAVE FLASHING	CMP	SCALE:
SYSTEM: CMP SERIES 2000		DRAWING NO: 5



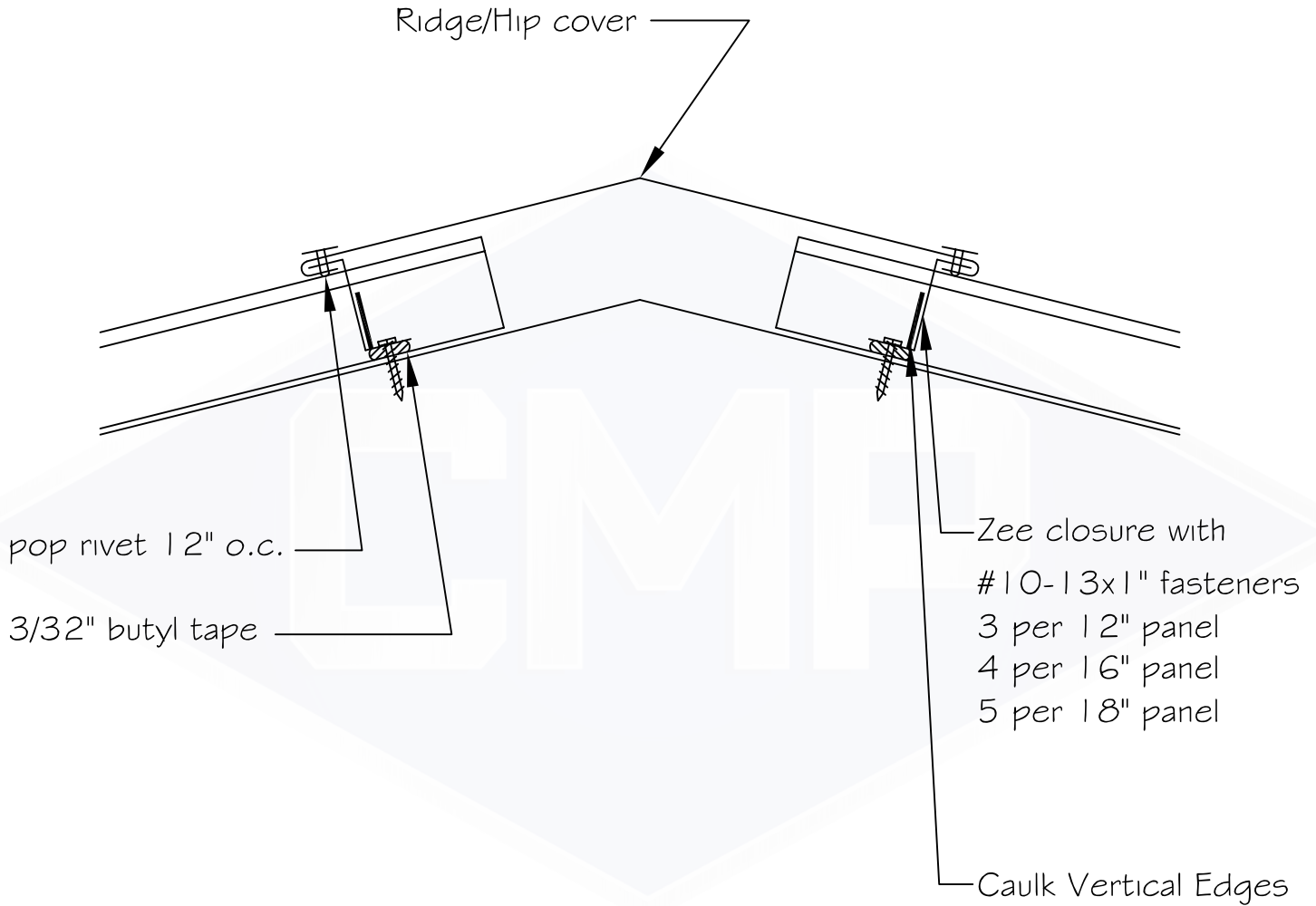
RAKE/GABLE FLASHING



DETAIL: RAKE/GABLE FLASHING	CMP	SCALE:
SYSTEM: CMP SERIES 2000		DRAWING NO: 6

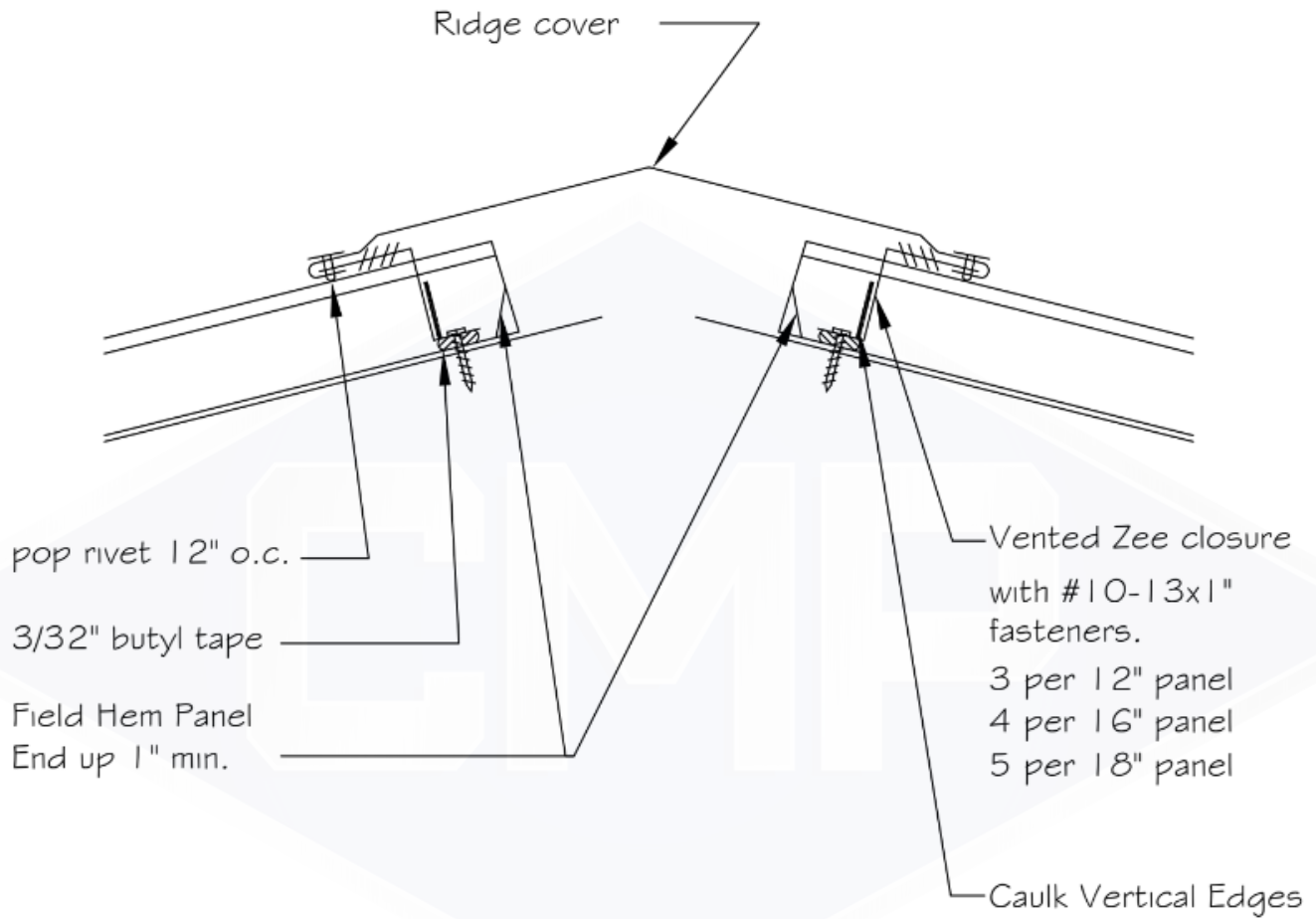


RIDGE/HIP COVER



DETAIL: RIDGE/HIP COVER	CMP	SCALE:
SYSTEM: CMP SERIES 2000		DRAWING NO: 7

VENTED RIDGE

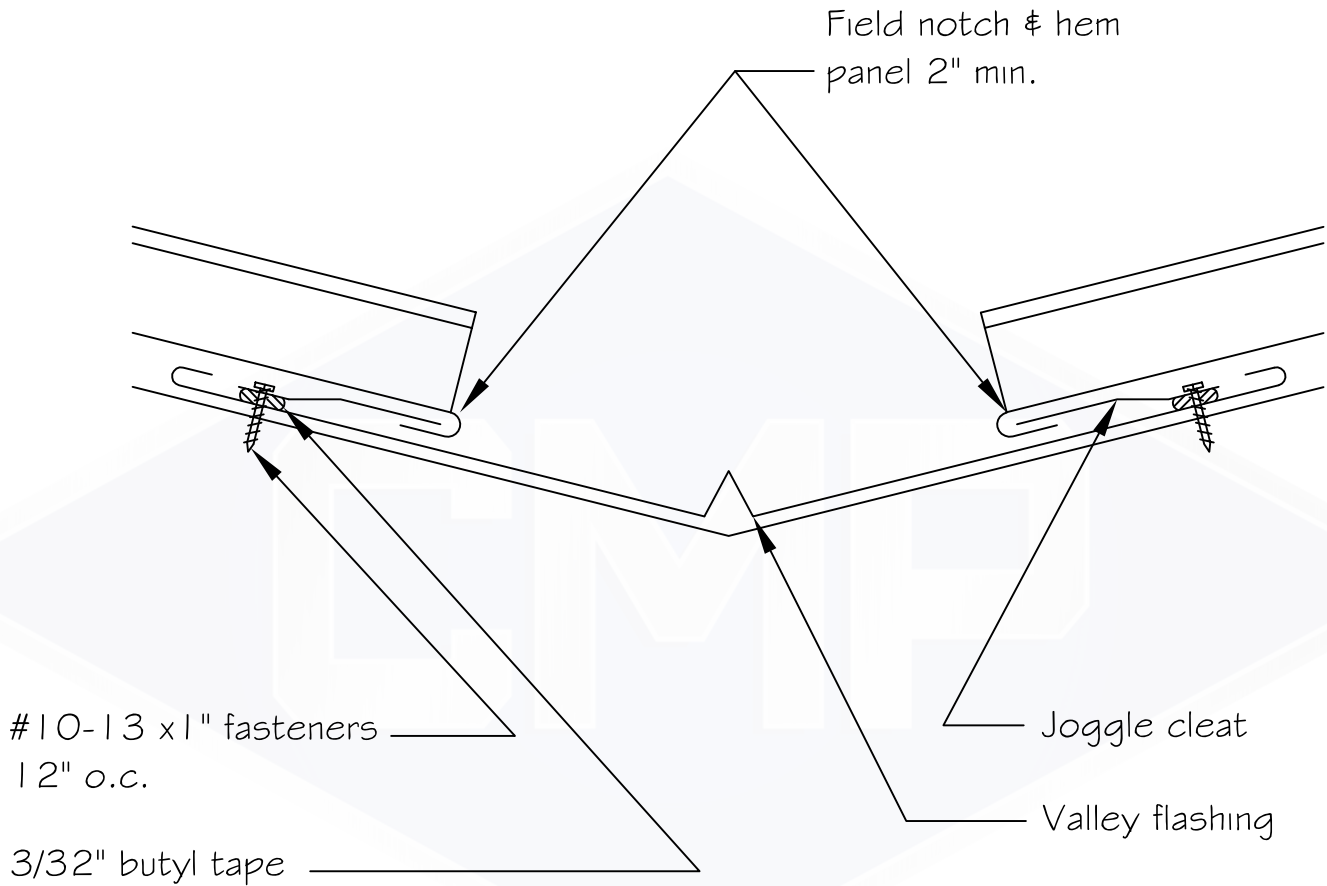


Note: There is 15 square inches of open space per linear foot.

DETAIL: VENTED RIDGE	CMP	SCALE:
SYSTEM: CMP SERIES 2000		DRAWING NO: 8

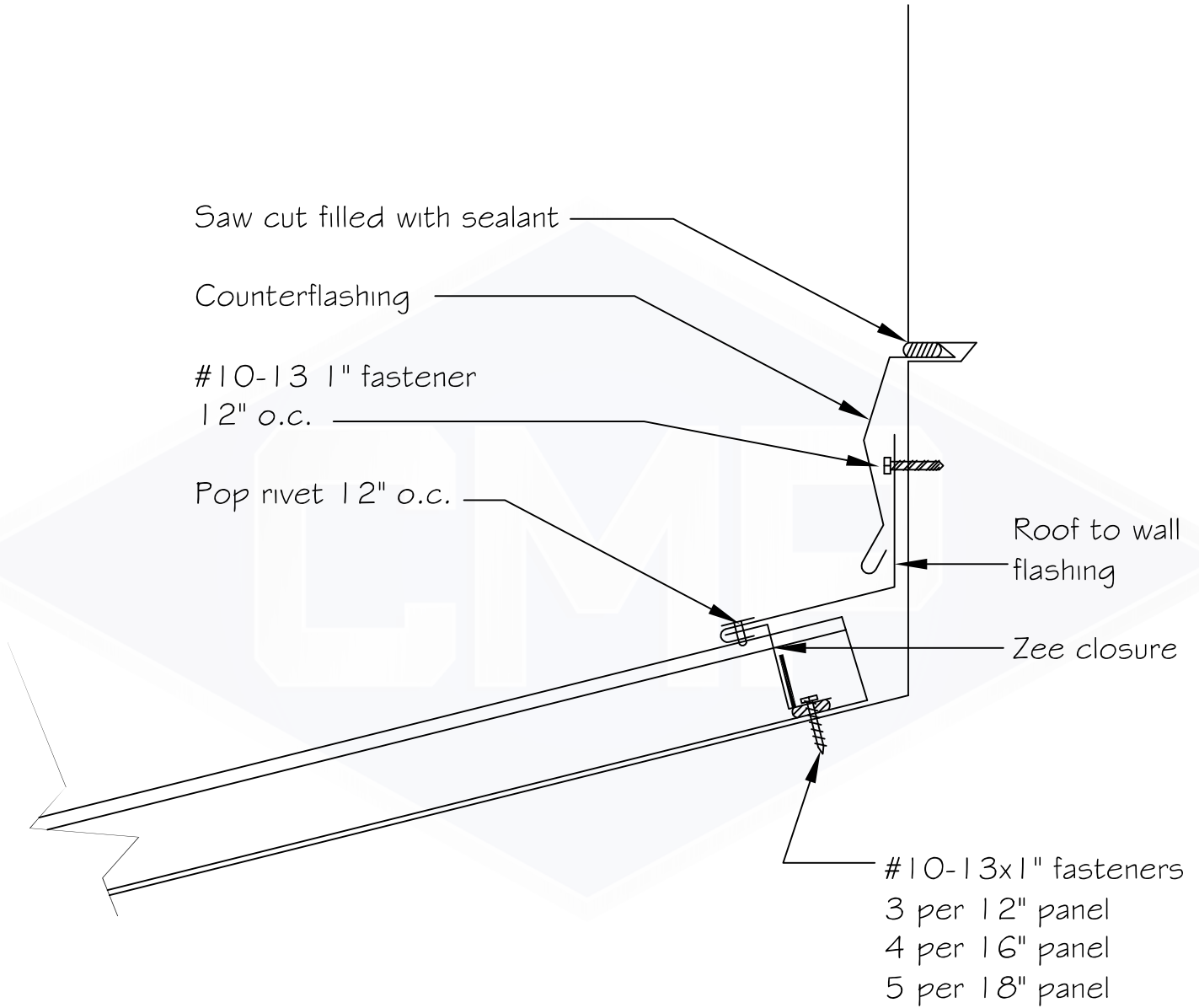


VALLEY FLASHING



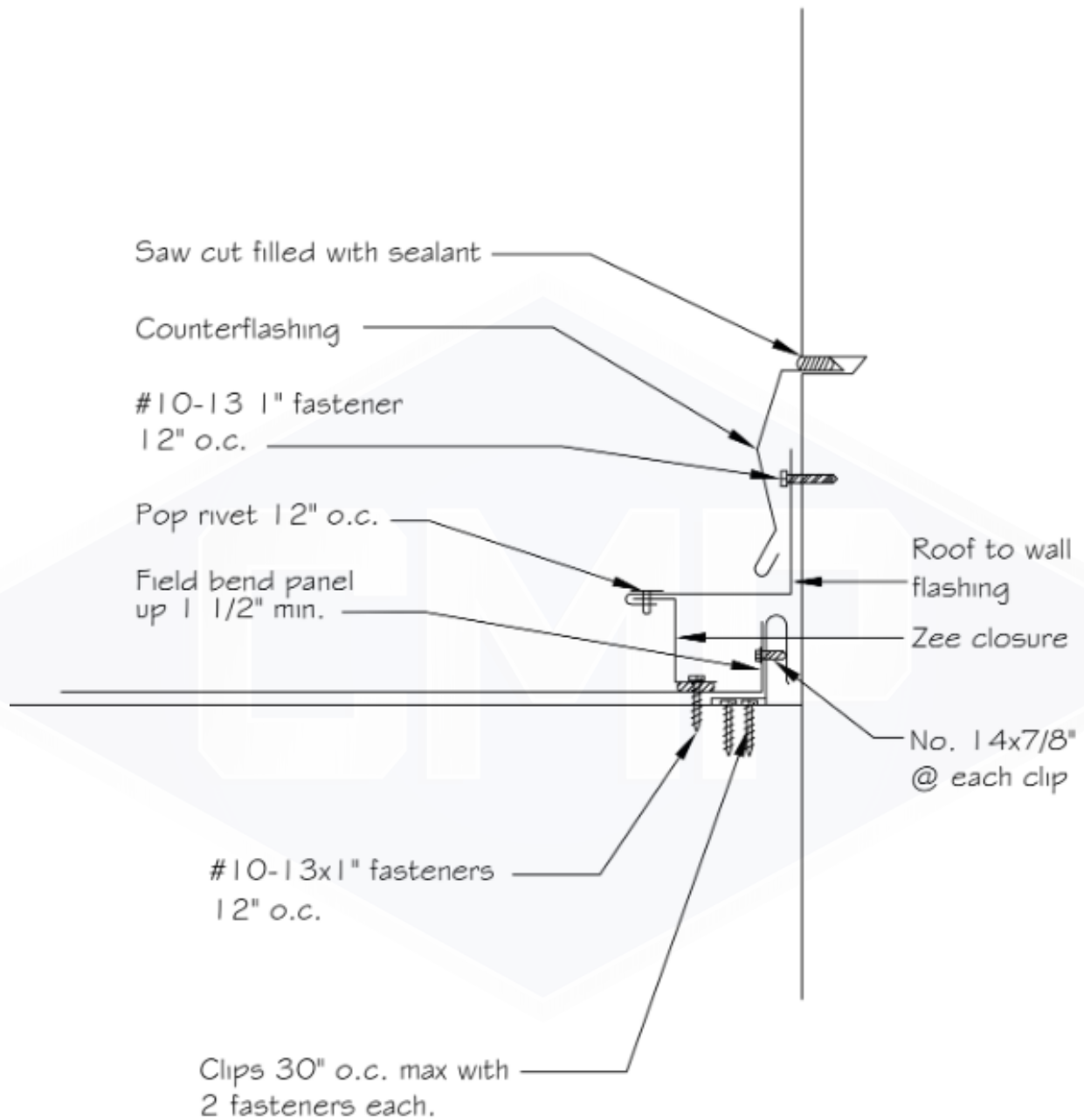
DETAIL: VALLEY FLASHING	CMP	SCALE:
SYSTEM: CMP SERIES 2000		DRAWING NO: 9

ROOF TO WALL FLASHING



DETAIL: ROOF TO WALL FLASHING	CMP	SCALE:
SYSTEM: CMP SERIES 2000		DRAWING NO: 10

PITCHBREAK FLASHING



DETAIL: PITCHBREAK FLASHING	CMP	SCALE:
SYSTEM: CMP SERIES 2000		DRAWING NO: 11



CONSTRUCTION METAL PRODUCTS INC.

Metal Roofing | Metal Walls | Custom Fabrication

FIND OUT MORE ABOUT CMP



704-871-8704



questions@cmpmetalsystems.com



2204 West Front Street Statesville, NC 28677



www.cmpmetalsystems.com



www.facebook.com/ConstructionMetalProducts