

CONSTRUCTION METAL PRODUCTS INC.

Metal Roofing | Metal Walls | Custom Fabrication

SYSTEM: CMP FLUSH PANEL DRAWINGS



CMP

Statesville, NC | Myrtle Beach, SC | Charleston, SC
704-871-8704 | questions@cmpmetalsystems.com
www.cmpmetalsystems.com



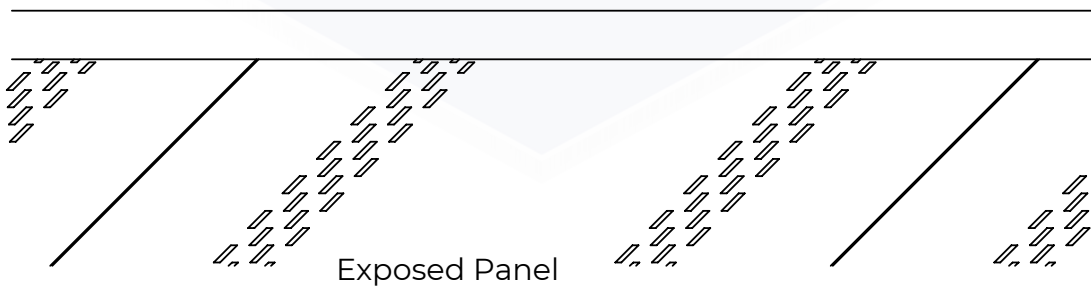
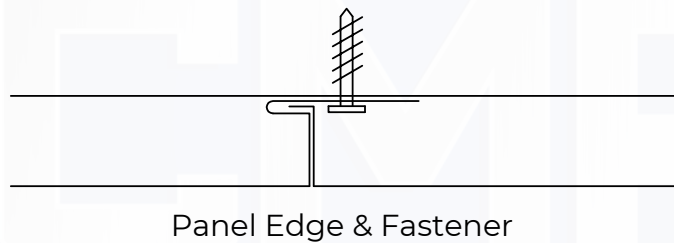
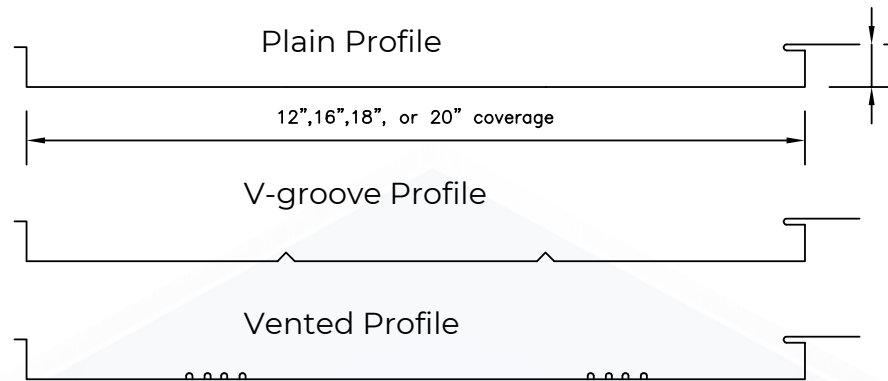
CONTENTS

- **PROFILE SHEET..... 2**
- **DRIP EDGE..... 3**
- **J CHANNEL..... 4**
- **DRIP EDGE @ WALL..... 5**
- **INSIDE CORNER..... 6**
- **OUTSIDE CORNER..... 7**



FLUSH PANEL PROFILE

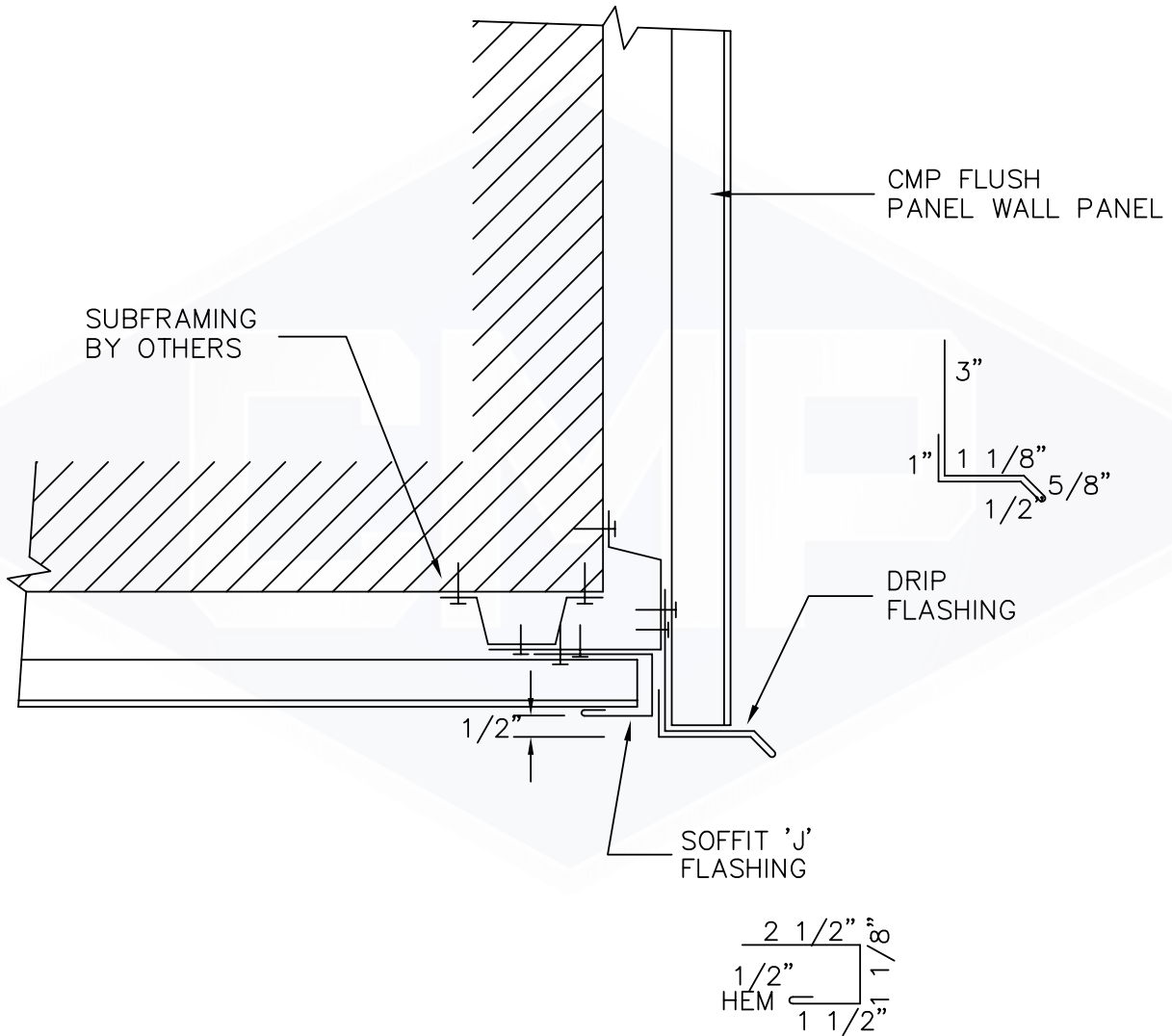
Ideal for Gamble walls and soffits. Profiles can be either Plain, V-groove, or Vented. Panels can be fabricated from either .032 or .040 aluminum or 24-22 guage steel with Kynar finish or bare galvalume.



DETAIL: FLUSH PANEL PROFILE	CMP	SCALE:
SYSTEM: CMP FLUSH PANEL		DRAWING NO: 1

FLUSH PANEL - DRIP EDGE

Ideal for Gamble walls and soffits. Profiles can be either Plain, V-groove, or Vented. Panels can be fabricated from either .032 or .040 aluminum or 24-22 guage steel with Kynar finish or bare galvalume.

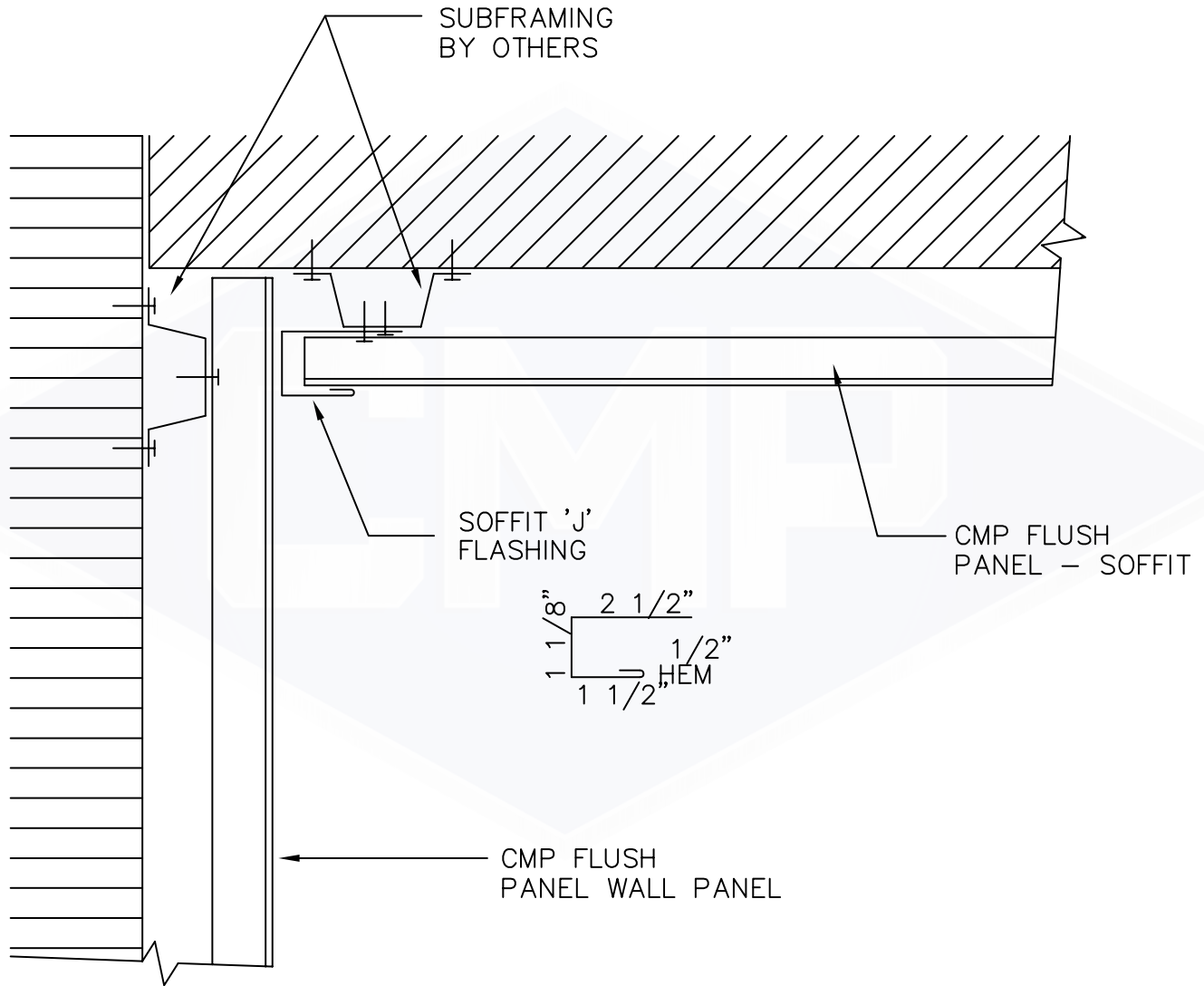


DETAIL: DRIP EDGE	CMP	SCALE:
SYSTEM: CMP FLUSH PANEL		DRAWING NO: 2



FLUSH PANEL - J CHANNEL

Ideal for Gamble walls and soffits. Profiles can be either Plain, V-groove, or Vented. Panels can be fabricated from either .032 or .040 aluminum or 24-22 guage steel with Kynar finish or bare galvalume.

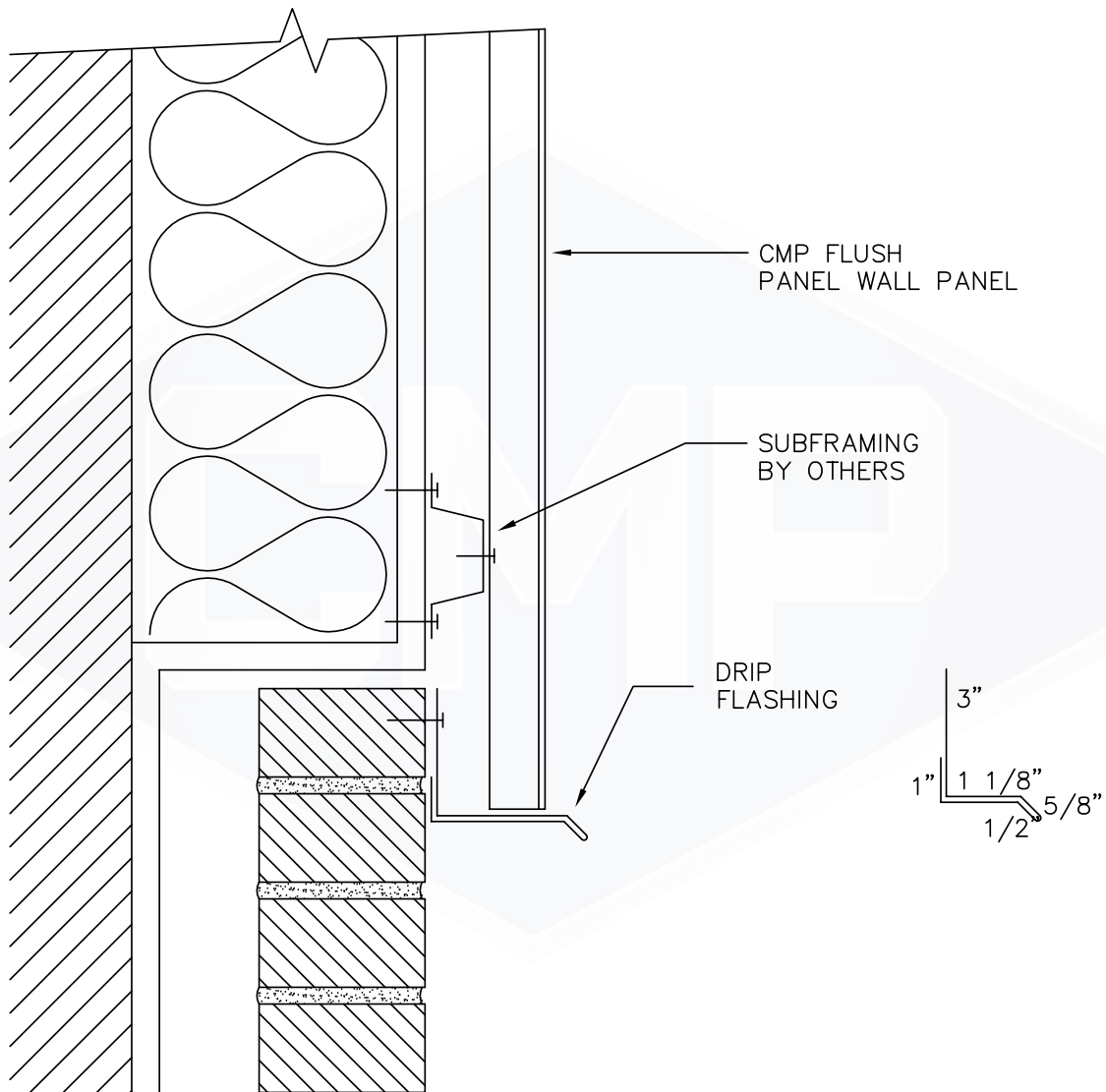


DETAIL: J CHANNEL	CMP	SCALE:
SYSTEM: CMP FLUSH PANEL		DRAWING NO: 3



FLUSH PANEL - DRIP EDGE @ WALL

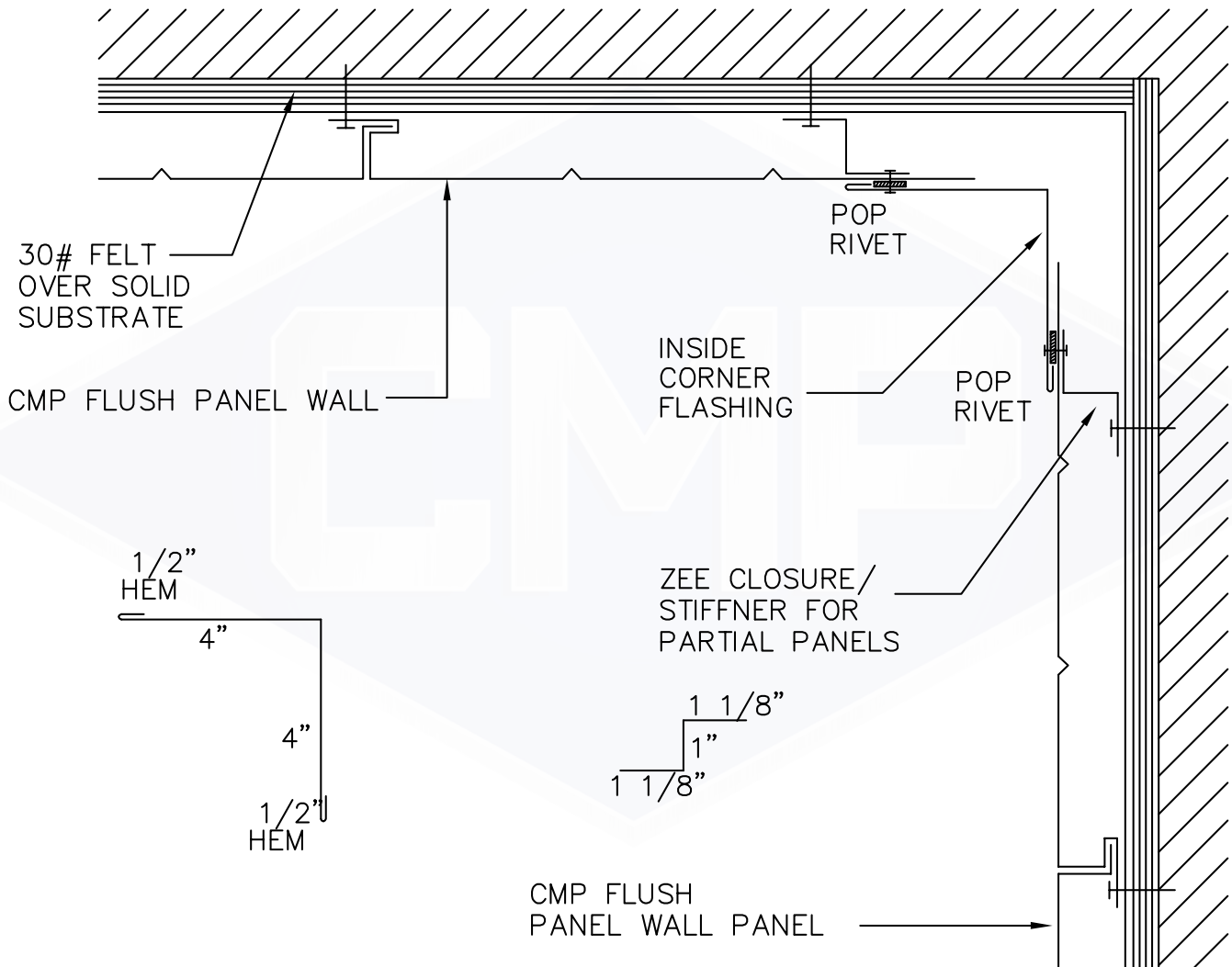
Ideal for Gamble walls and soffits. Profiles can be either Plain, V-groove, or Vented. Panels can be fabricated from either .032 or .040 aluminum or 24-22 guage steel with Kynar finish or bare galvalume.



DETAIL: DRIP EDGE @ WALL	CMP	SCALE:
SYSTEM: CMP FLUSH PANEL		DRAWING NO: 4

FLUSH PANEL - INSIDE CORNER

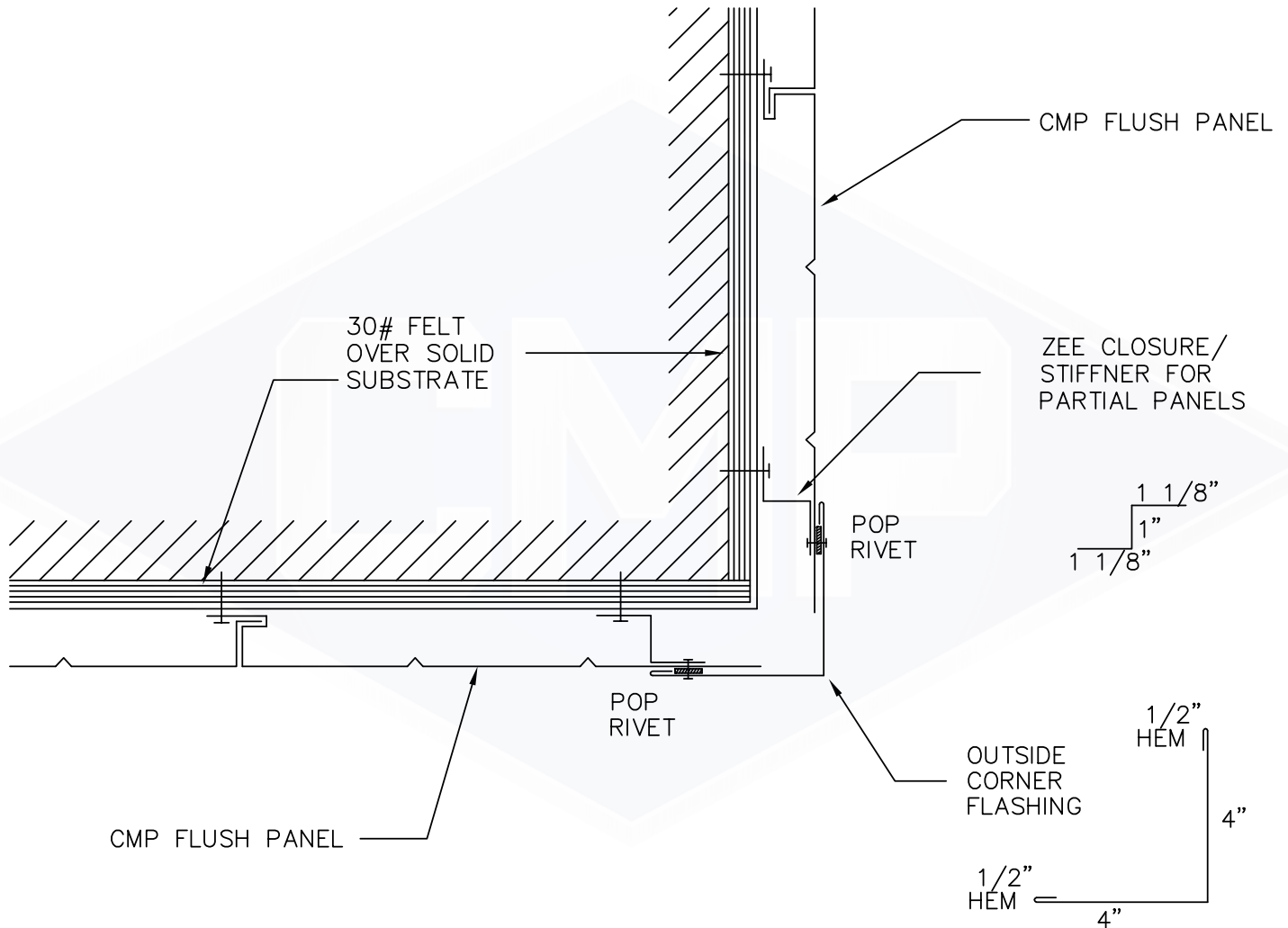
Ideal for Gamble walls and soffits. Profiles can be either Plain, V-groove, or Vented. Panels can be fabricated from either .032 or .040 aluminum or 24-22 guage steel with Kynar finish or bare galvalume.



DETAIL: INSIDE CORNER	CMP	SCALE:
SYSTEM: CMP FLUSH PANEL		DRAWING NO: 5

FLUSH PANEL - OUTSIDE CORNER

Ideal for Gamble walls and soffits. Profiles can be either Plain, V-groove, or Vented. Panels can be fabricated from either .032 or .040 aluminum or 24-22 guage steel with Kynar finish or bare galvalume.



DETAIL: OUTSIDE CORNER	CMP	SCALE:
SYSTEM: CMP FLUSH PANEL		DRAWING NO: 6



CONSTRUCTION METAL PRODUCTS INC.

Metal Roofing | Metal Walls | Custom Fabrication

FIND OUT MORE ABOUT CMP



704-871-8704



questions@cmpmetalsystems.com



2204 West Front Street Statesville, NC 28677



www.cmpmetalsystems.com



www.facebook.com/ConstructionMetalProducts