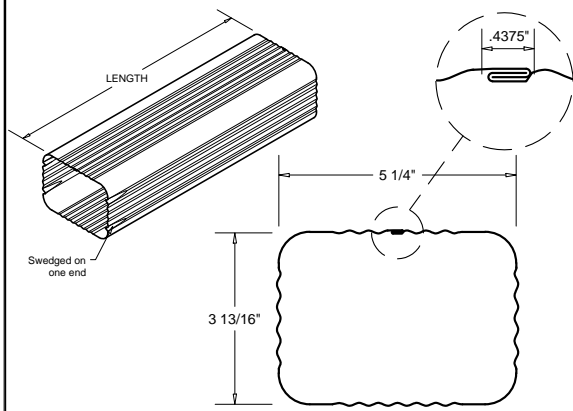


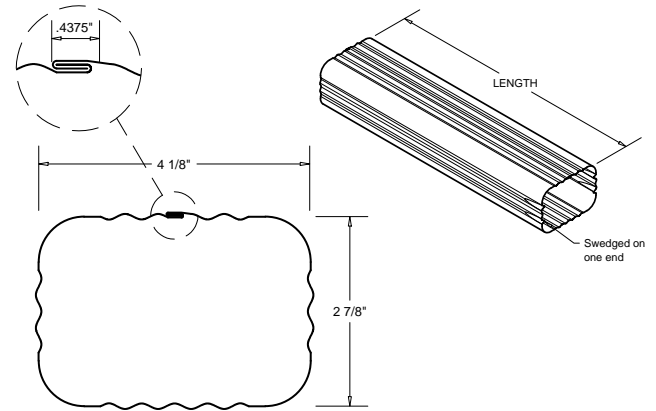
CORRUGATED DOWNSPOUT + ACCESSORIES

□ 4 X 5 DOWNSPOUT



A STYLE ELBOW

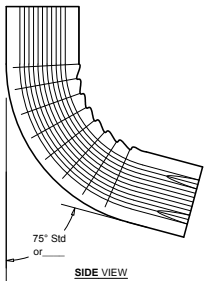
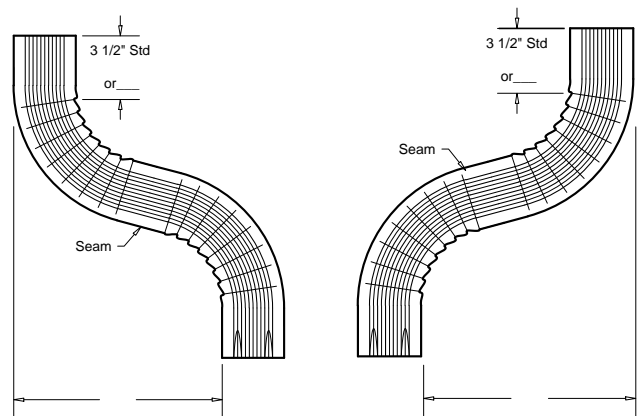
□ 3 X 4 DOWNSPOUT



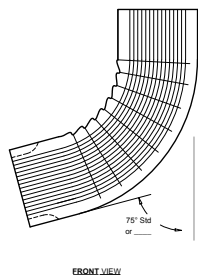
ONE-PIECE OFFSETS

"DOWN" STYLE (LEDGE)

"UP" STYLE (EAIVE)

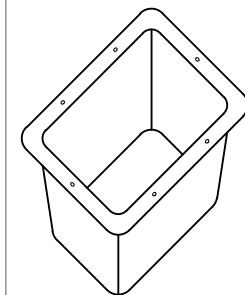


B STYLE ELBOW

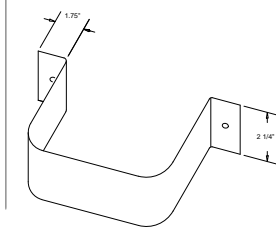


FRONT VIEW

STAMPED OUTLETS



DOWNSPOUT STRAPS



MATERIAL

22GA STEEL (4x5 downspout only)
24GA STEEL
26GA STEEL (limited color availability)

.027 ALUMINUM (4X5 only; polyester finish)
.032 ALUMINUM

.040 ALUMINUM (not available for 3x4 elbows/offsets)

16OZ COPPER
20OZ COPPER

COLOR

QUANTITIES

____ TOTAL FEET OF DOWNSPOUT ____ REQUESTED LENGTH PER PIECE

____ OUTLET TUBES

____ ELBOWS (STD. 75°)

STYLE A: ____ STYLE B: ____ LEFT TURN

RIGHT TURN

____ ELBOWS (CUSTOM DEGREE) ____ °

STYLE A: ____ STYLE B: ____ LEFT TURN

RIGHT TURN

____ ONE-PIECE OFFSETS ____" OFFSET AMOUNT

STYLE A: ____ EAIVE STYLE B: ____ LEFT TURN

LEDGE RIGHT TURN

____ STRAPS (STANDARD =2 PER 10' DOWNSPOUT)

PRINT APPROVED BY:

____ (SIGNATURE) ____ (DATE)

A SIGNED PRINT APPROVAL SIGNIFIES A CUSTOMER HAS VERIFIED ALL DIMENSIONS, SIZES, QUANTITIES, AND MATERIAL TYPES.

FABRICATION WILL PROCEED ONLY AFTER RECEIPT OF SIGNED PRINT APPROVAL

PROJECT INFORMATION

____ (PROJECT NAME)

____ (ARCHITECT)

____ (CUSTOMER)

____ (REPRESENTATIVE/ DISTRIBUTOR)

Construction Metal Products
2204 West Front Street
Statesville, NC 28677
P: 704-871-8704

CMP East
1608 Executive Ave
Myrtle Beach, SC 29577
P: 843-427-0427

