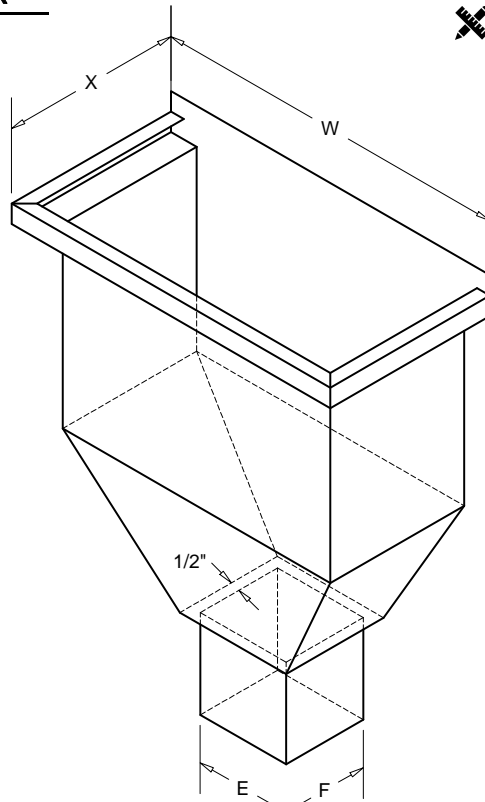
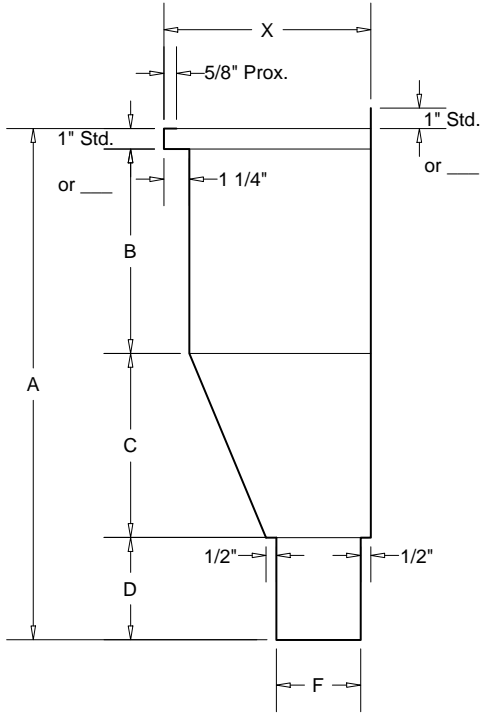


COLLECTOR BOX

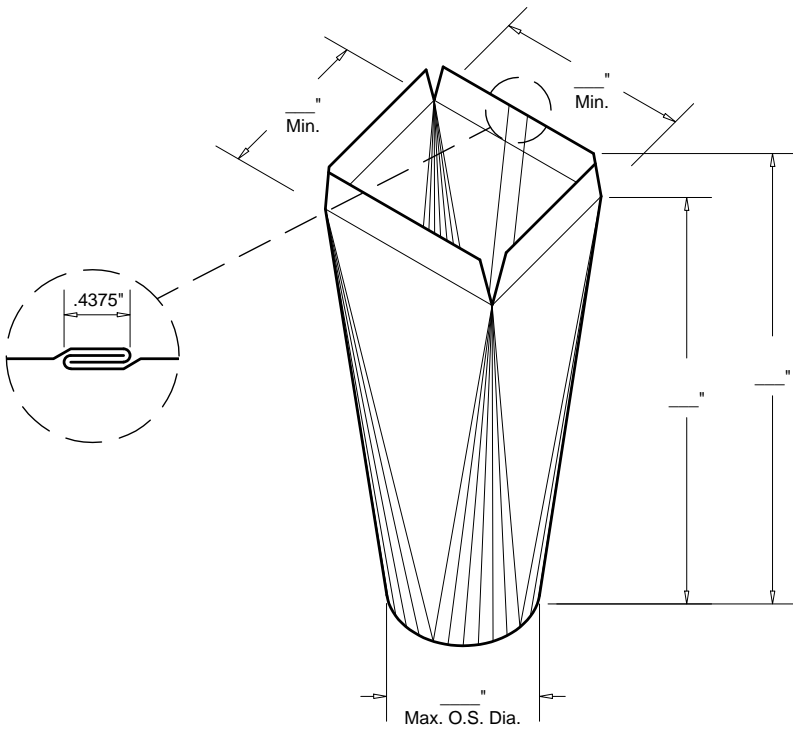


X QUANTITY _____

SIZES

A = _____
 B = _____
 C = _____
 D = _____
 E = _____
 F = _____
 W = _____
 X = _____

TRANSITION



MATERIAL

- 22GA STEEL
- 24GA STEEL
- 26GA STEEL (limited color availability)
- 22GA STAINLESS STEEL
- 24GA STAINLESS STEEL
- 26GA STAINLESS STEEL

- .032 ALUMINUM
- .040 ALUMINUM
- .050 ALUMINUM
- .063 ALUMINUM
- 16OZ COPPER
- 20OZ COPPER

COLOR:

X QUANTITY _____

PRINT APPROVED BY:

 (SIGNATURE) (DATE)

A SIGNED PRINT APPROVAL SIGNIFIES A CUSTOMER HAS VERIFIED ALL DIMENSIONS, SIZES, QUANTITIES, AND MATERIAL TYPES.

FABRICATION WILL PROCEED ONLY AFTER RECEIPT OF SIGNED PRINT APPROVAL

PROJECT INFORMATION

 (PROJECT NAME)

 (ARCHITECT)

 (CUSTOMER)

 (REPRESENTATIVE/ DISTRIBUTOR)

Construction Metal Products
 2204 West Front Street
 Statesville, NC 28677
 P: 704-871-8704

CMP East
 1608 Executive Ave
 Myrtle Beach, SC 29577
 P: 843-427-0427

