

CMP 7" SEAMLESS BOX GUTTER

COMMERCIAL & INDUSTRIAL



Construction Metal Products



CMP 7" SEAMLESS BOX GUTTER

The CMP Seamless Gutter system is a great choice for any project, whether it is steep or low slope, or even for a flat roof. It can be factory formed and shipped, or roll formed right on the jobsite. In addition to the gutter, CMP offers a full line of accessories including gutter straps, hangers, mitered corners, end caps, expansion joints, outlets, downspouts, downspout elbows and downspout straps.

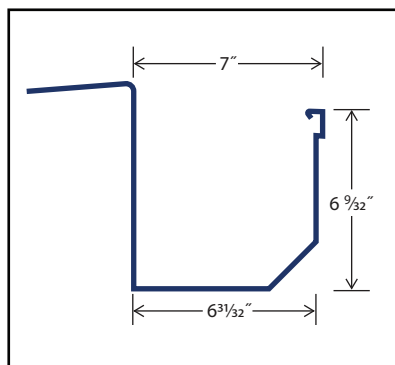


GUTTER SPECIFICATIONS

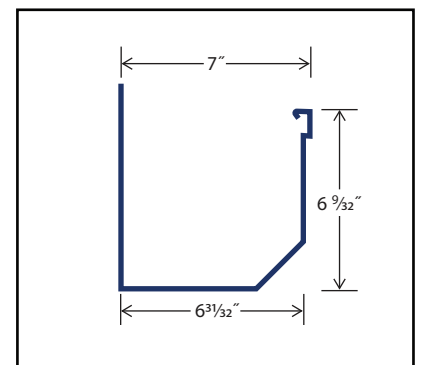
- Widths – 7" Nominal
- Back Flange – up to 4"
- Made to exact lengths
- On-site rollforming available
- 29+ different color/coating options

MATERIALS AVAILABLE

- Steel – 24ga
- Aluminum - .032" & .040"



Adjustable Flange Back Profile



Straight Back Profile