

# Construction Metal Products, Inc.

## System: CMP Series 1000

### Drawings

1. Panel & Clip Profile
2. Panel Sealant
3. Eave Flashing with Gutter
4. Locking Eave
5. High Eave
6. Gable End
7. Hip/Ridge
8. Vented Ridge
9. Valley
10. Roof To Wall
11. Pitchbreak Flashing

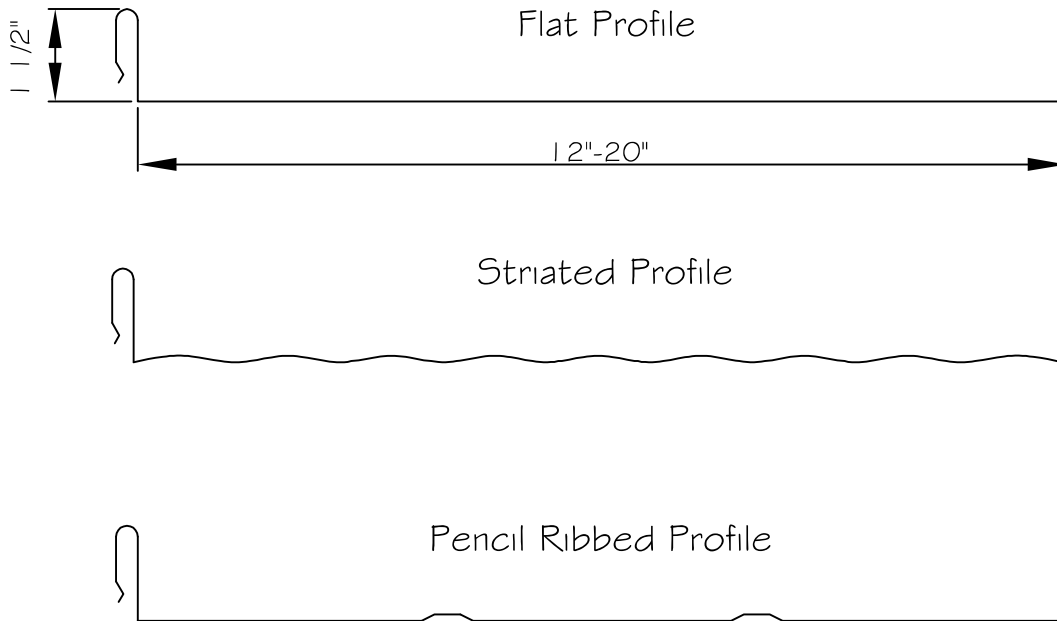
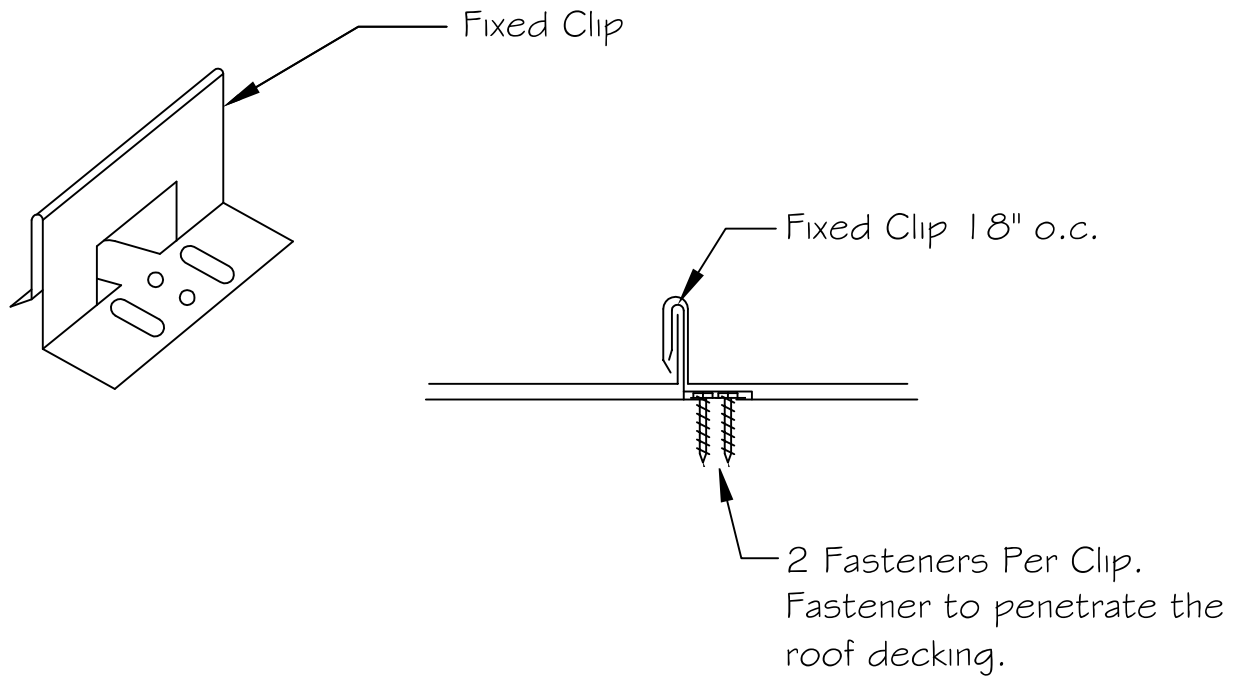
DETAIL:

SYSTEM: CMP SERIES 1000  
DATE:

CMP

SCALE:

DRAWING NO:



Note: Striated Profile is Standard

DETAIL: Panel & Clip Profile

SYSTEM: CMP SERIES 1000  
DATE:

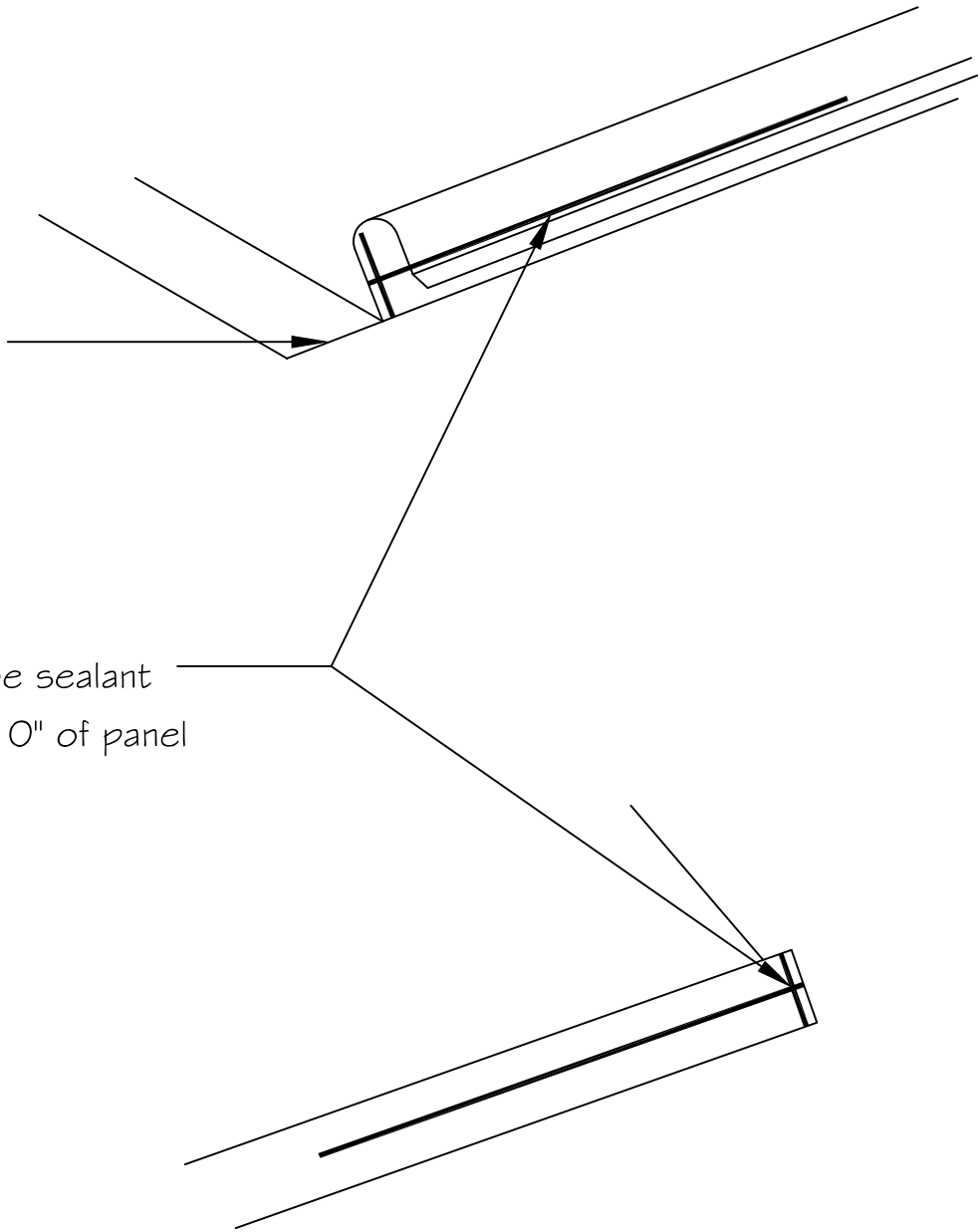
CMP

SCALE:

DRAWING NO: 1

Field notch & hem  
under eave flashing.

Apply tube sealant  
for first 10" of panel



DETAIL: Panel Sealant

SYSTEM: CMP SERIES 1000  
DATE:

CMP

SCALE:

DRAWING NO: 2

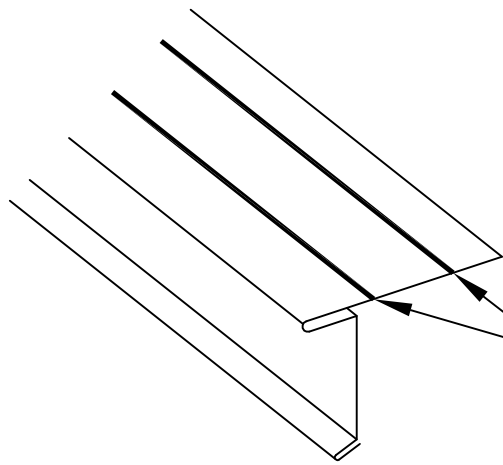
Eave Flashing. See Below for  
Tube Sealant application.

Field Notch & Hem 2" min.

Gutter Hangers 30" o.c.

Standard Box Gutter

#10-13x1" fastener



Apply 2 continuous beads of  
Tube Sealant on Eave trim.

DETAIL: Eave Flashing  
with Gutter

SYSTEM: CMP SERIES 1000  
DATE:

CMP

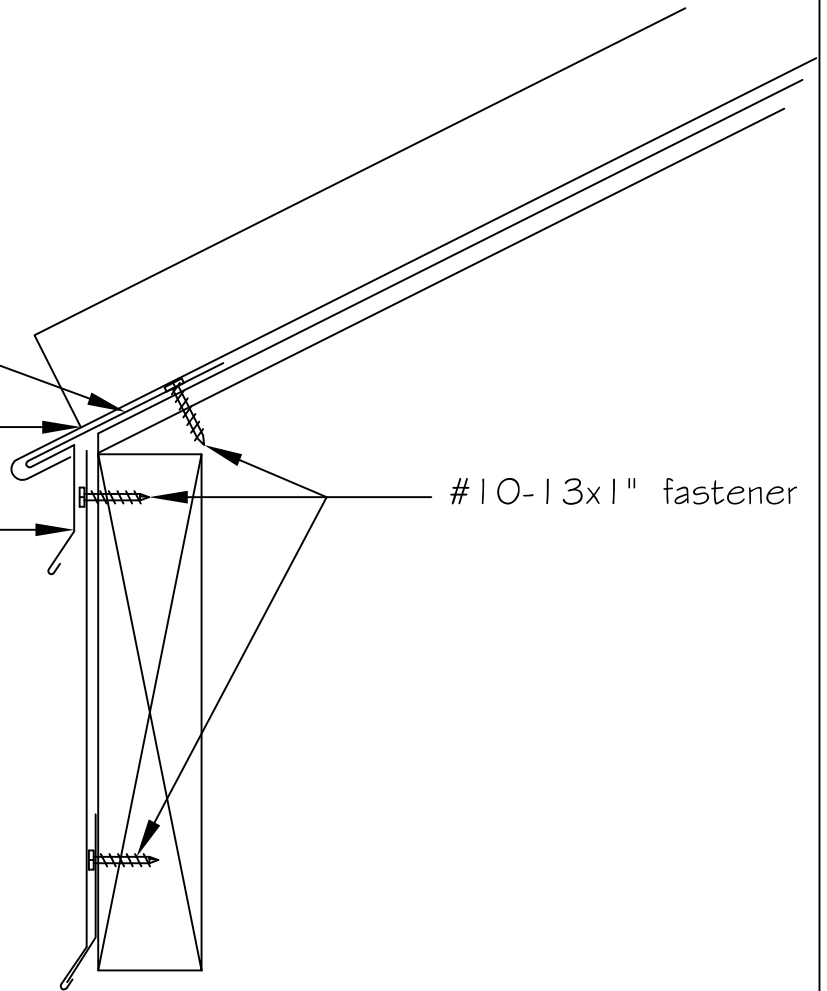
SCALE:

DRAWING NO: 3

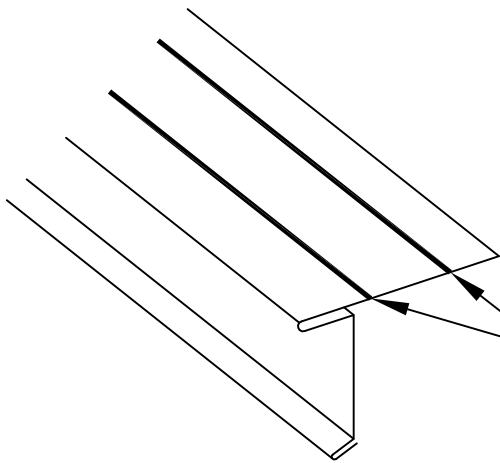
Eave Flashing. See Below for  
Tube Sealant application.

Field Notch & Hem 2" min.

Use cleat if face is over 3"



#10-13x1" fastener



Apply 2 continuous beads of  
Tube Sealant on Eave trim.

DETAIL: Locking Eave

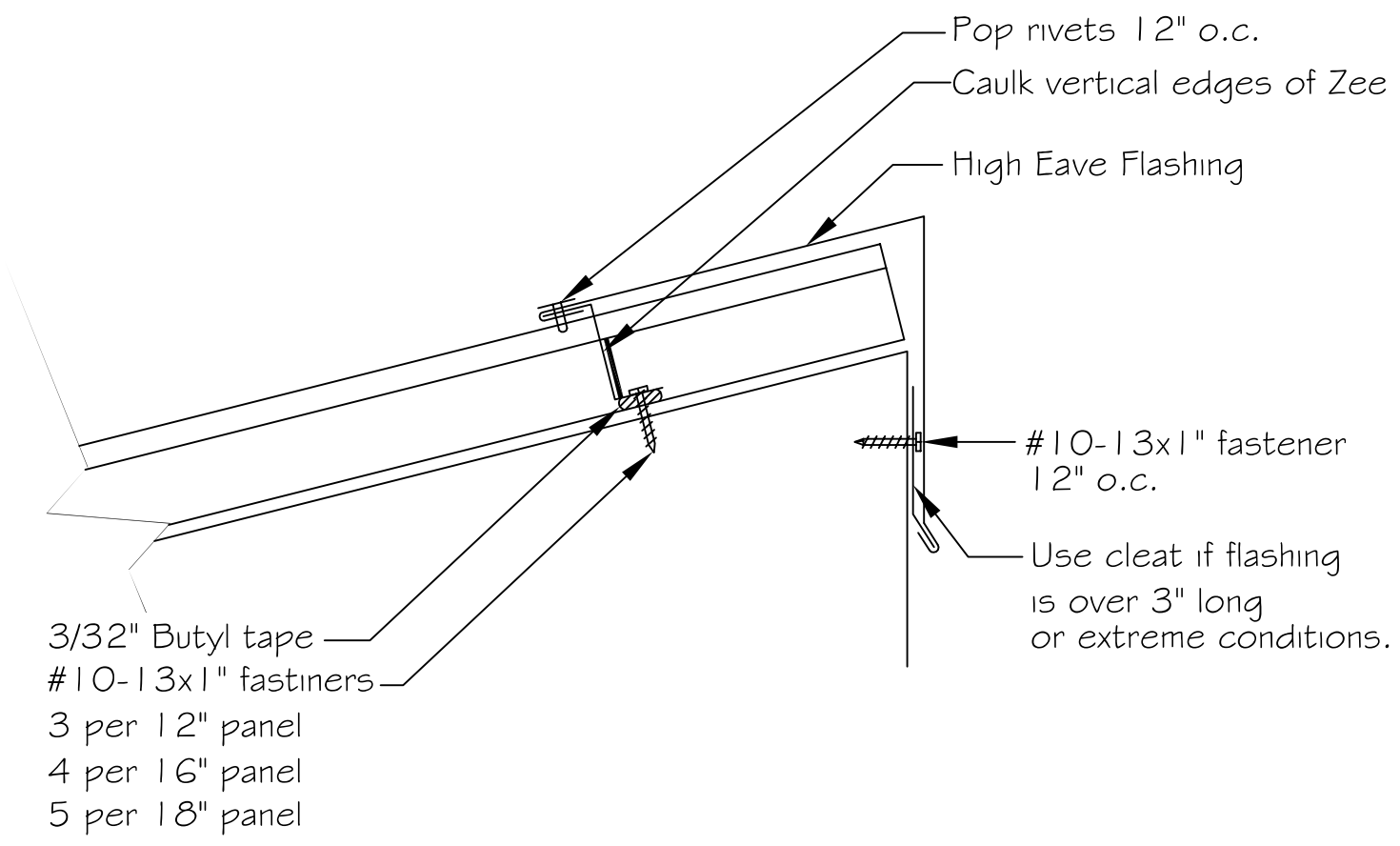
SYSTEM: CMP SERIES 1000  
DATE:

CMP

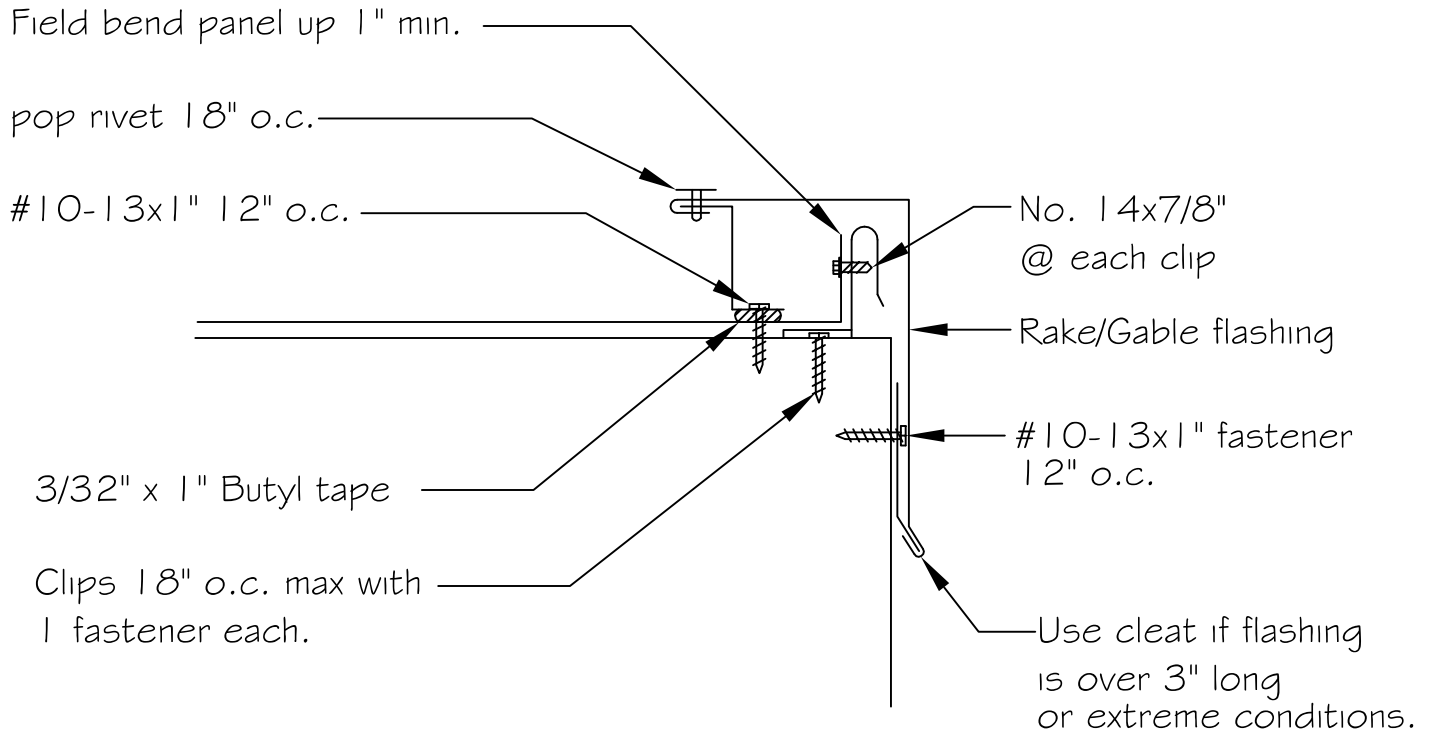
SCALE:

DRAWING NO:

4



DETAIL: High Eave Flashing		SCALE:
SYSTEM: CMP SERIES 1000 DATE:		DRAWING NO: 5



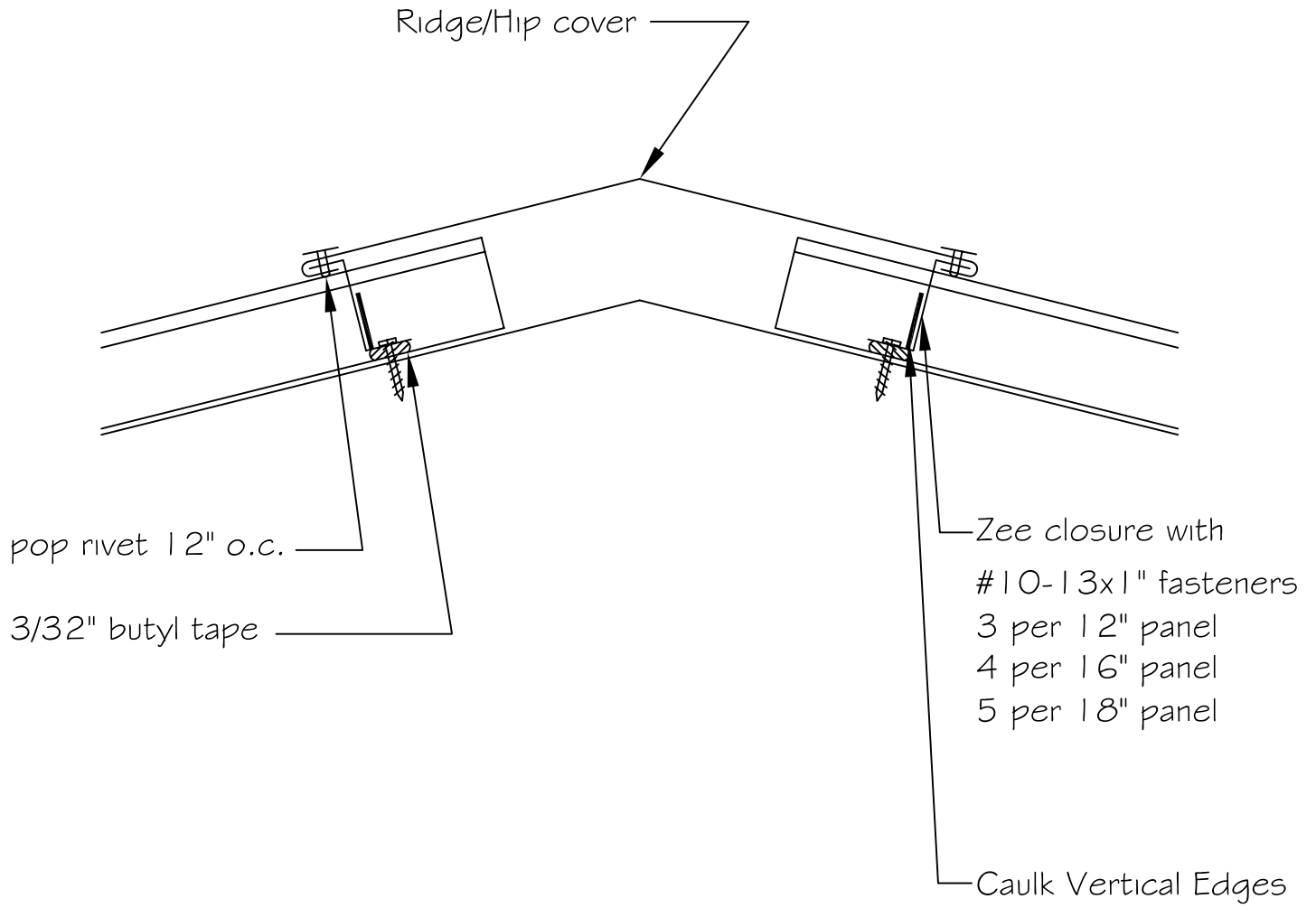
DETAIL: Rake/Gable Flashing

SYSTEM: CMP SERIES 1000  
DATE:

CMP

SCALE:

DRAWING NO: 6



DETAIL: Ridge/Hip Cover

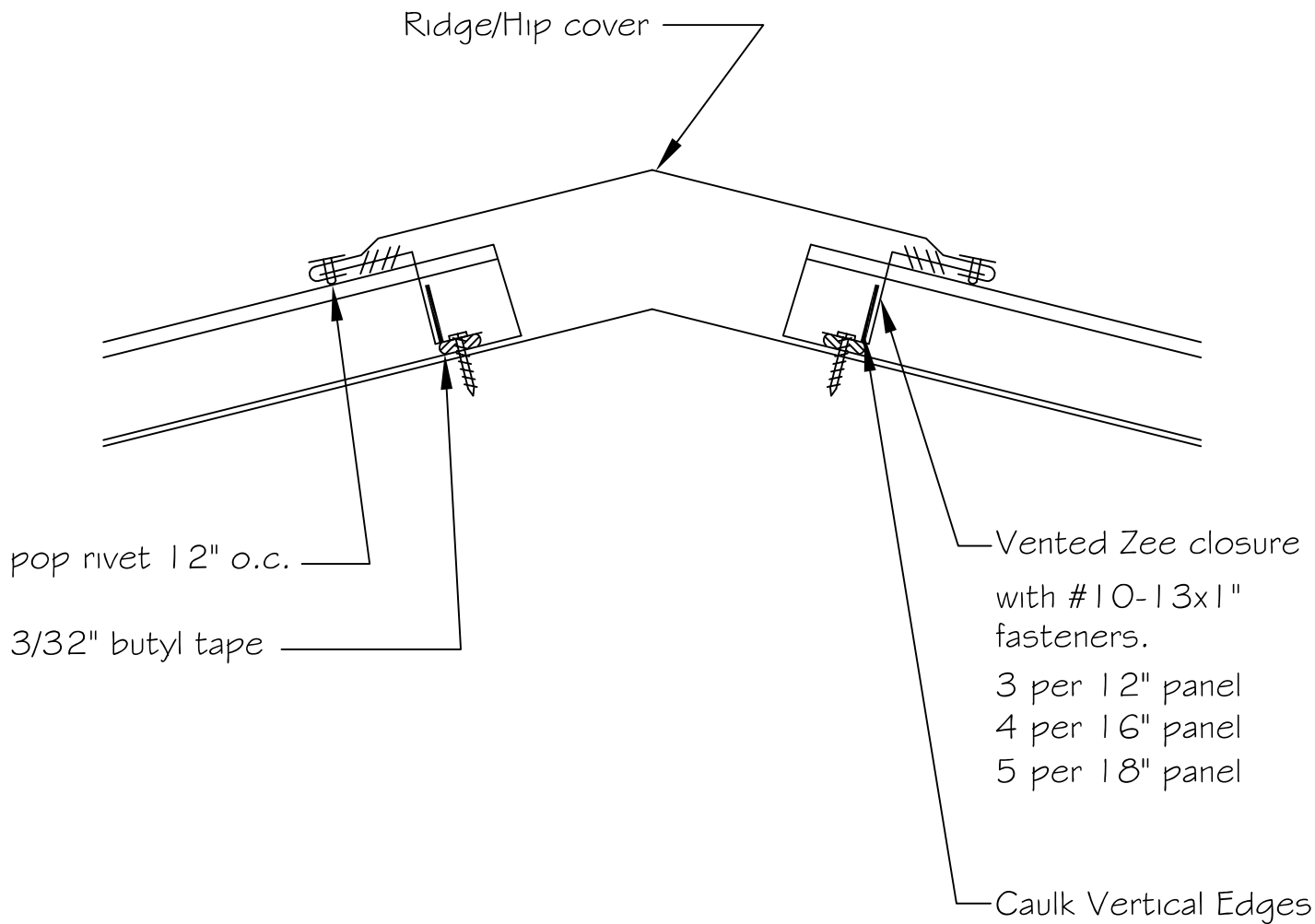
SYSTEM: CMP SERIES 1000  
DATE:

CMP

SCALE:

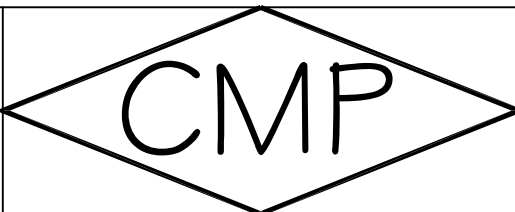
DRAWING NO: 7





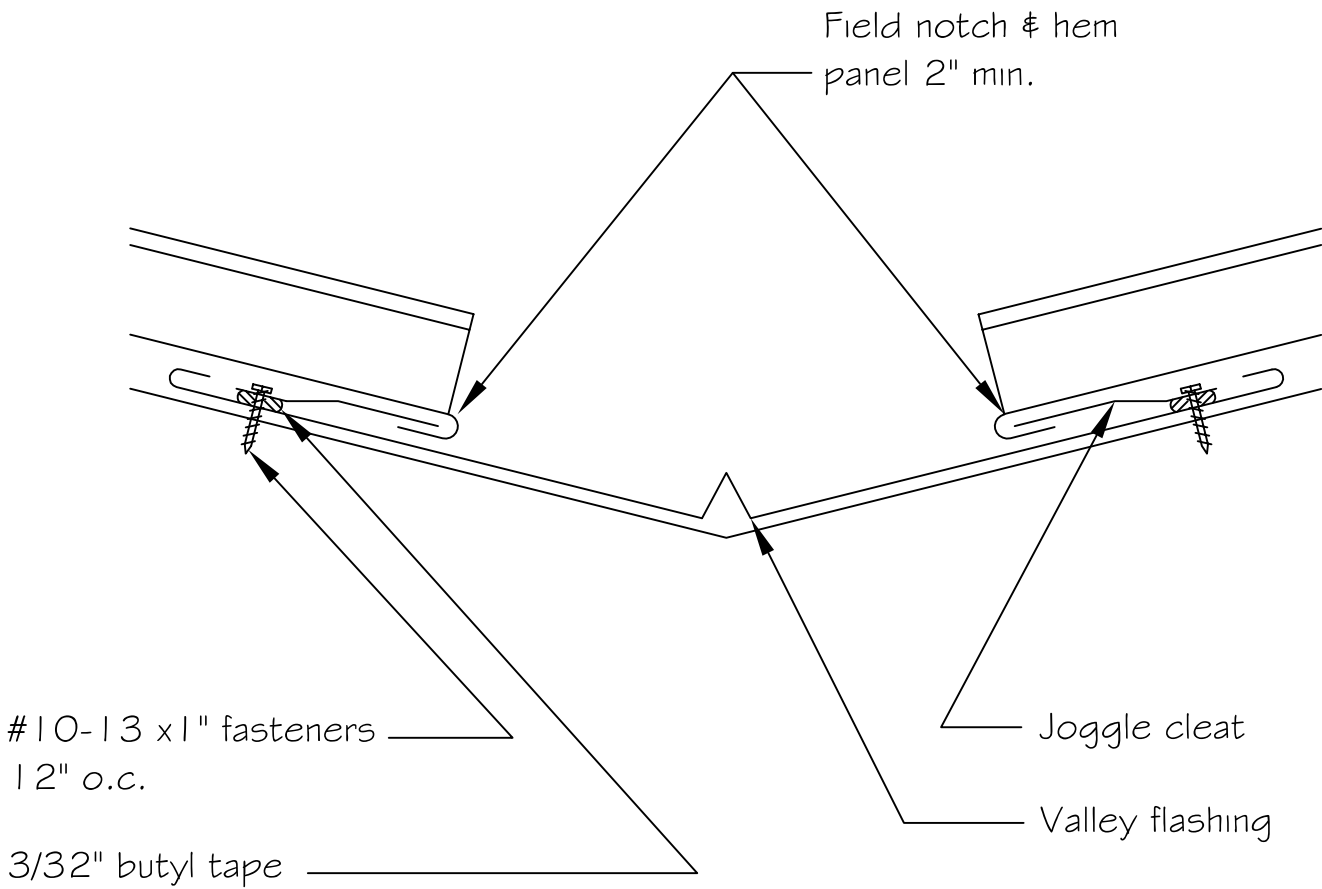
DETAIL: Vented Ridge

SYSTEM: CMP SERIES 1000  
 DATE:



SCALE:

DRAWING NO: 8



DETAIL: Valley Flashing

SYSTEM: CMP SERIES 1000  
DATE:

CMP

SCALE:

DRAWING NO: 9

Saw cut filled with sealant

Counterflashing

#10-13 1" fastener  
12" o.c.

Pop rivet 12" o.c.

Roof to wall  
flashing

Zee closure

#10-13x1" fasteners  
3 per 12" panel  
4 per 16" panel  
5 per 18" panel

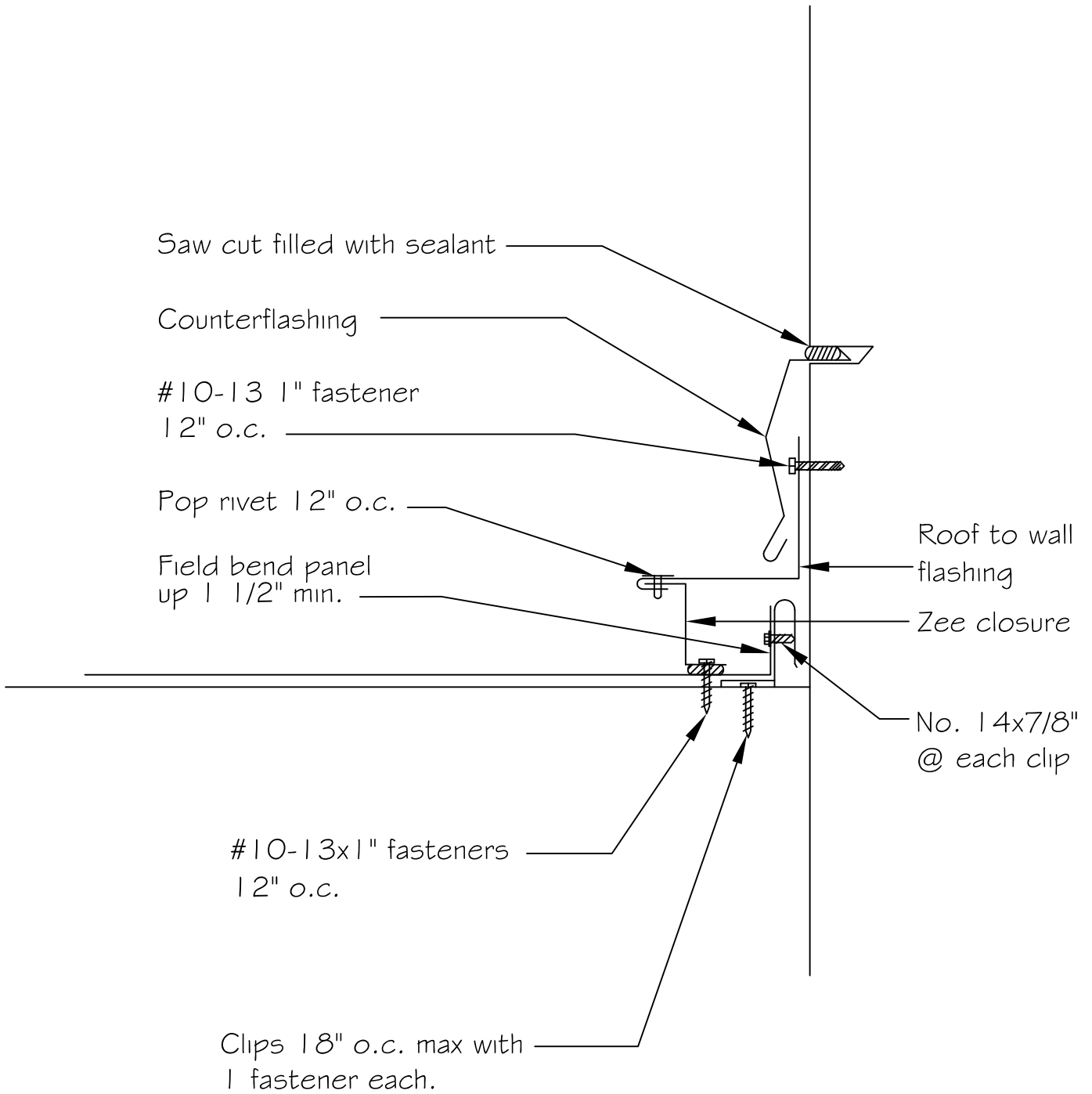
DETAIL: Roof to Wall flashing

SYSTEM: CMP SERIES 1000  
DATE:

CMP

SCALE:

DRAWING NO: 10



DETAIL: Pitchbreak flashing

SYSTEM: CMP SERIES 1000  
DATE:

CMP

SCALE:

DRAWING NO:

11