

Construction Metal Products, Inc.

System: CMP Series 1500

Drawings

1. Panel & Clip Profile
2. Panel Sealant
3. Eave Flashing with Gutter
4. Locking Eave
5. High Eave
6. Gable End
7. Hip/Ridge
8. Vented Ridge
9. Valley
10. Roof To Wall
11. Pitchbreak Flashing

DETAIL:

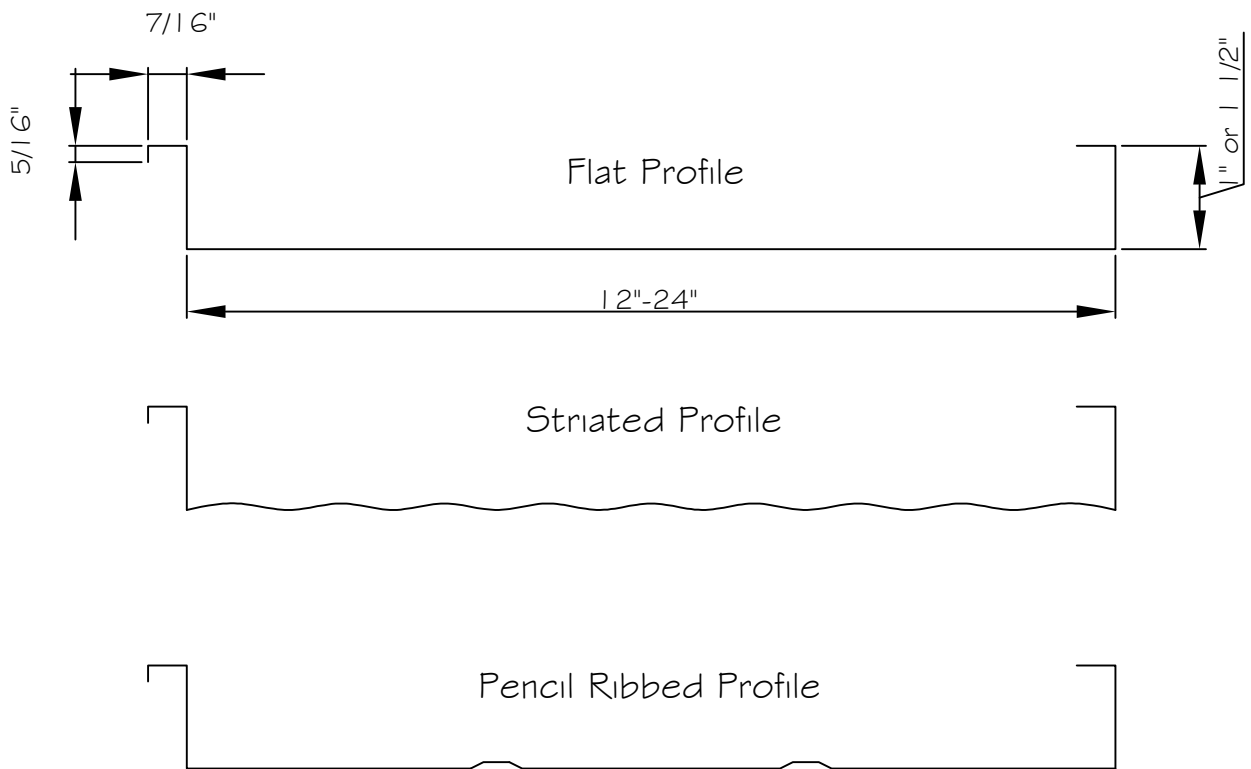
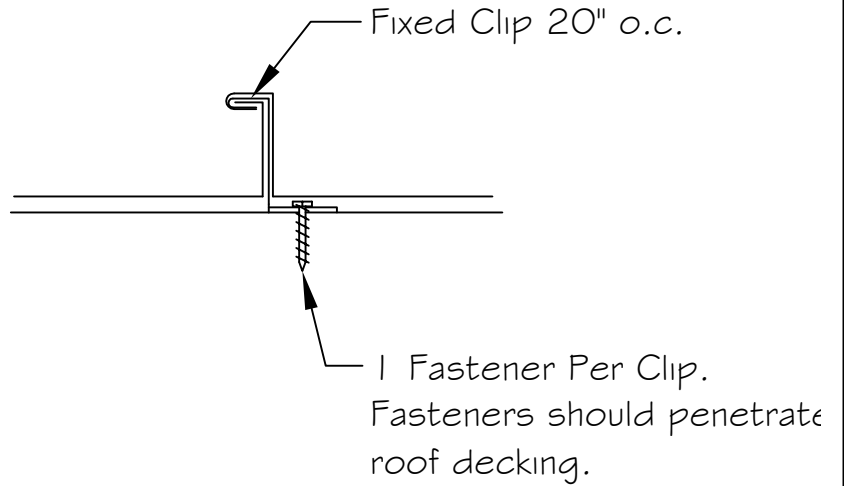
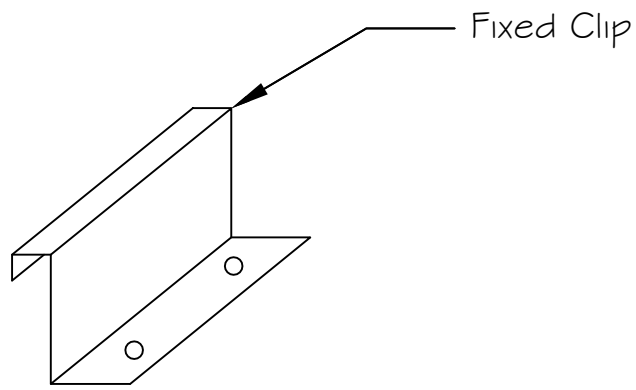
SYSTEM: CMP SERIES 1500
DATE:



CMP

SCALE:

DRAWING NO:



Note: Striated Profile is Standard

DETAIL: Panel & Clip Profile

SYSTEM: CMP SERIES 1500
DATE:

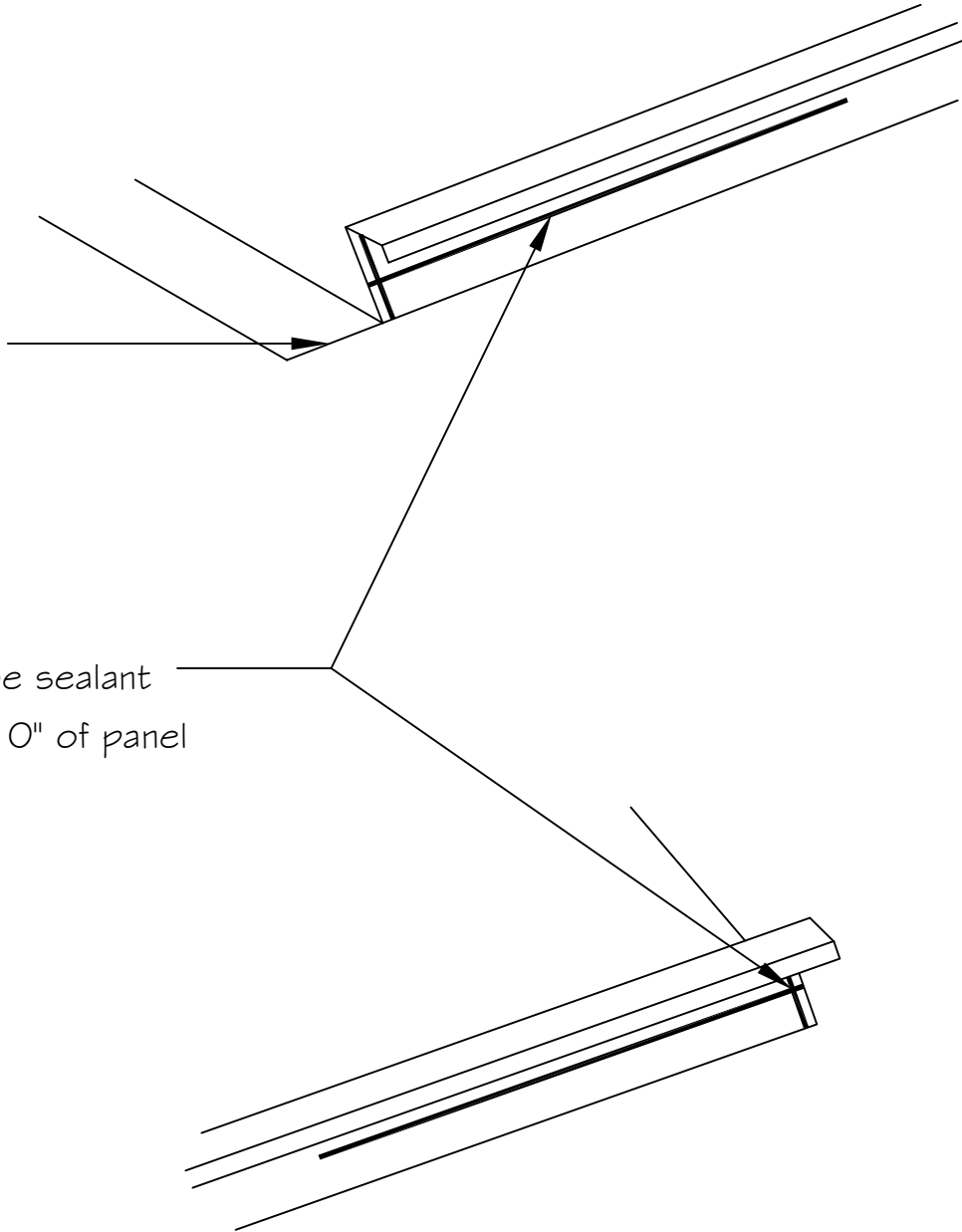
CMP

SCALE:

DRAWING NO: 1

Field notch & hem
under eave flashing.

Apply tube sealant
for first 10" of panel



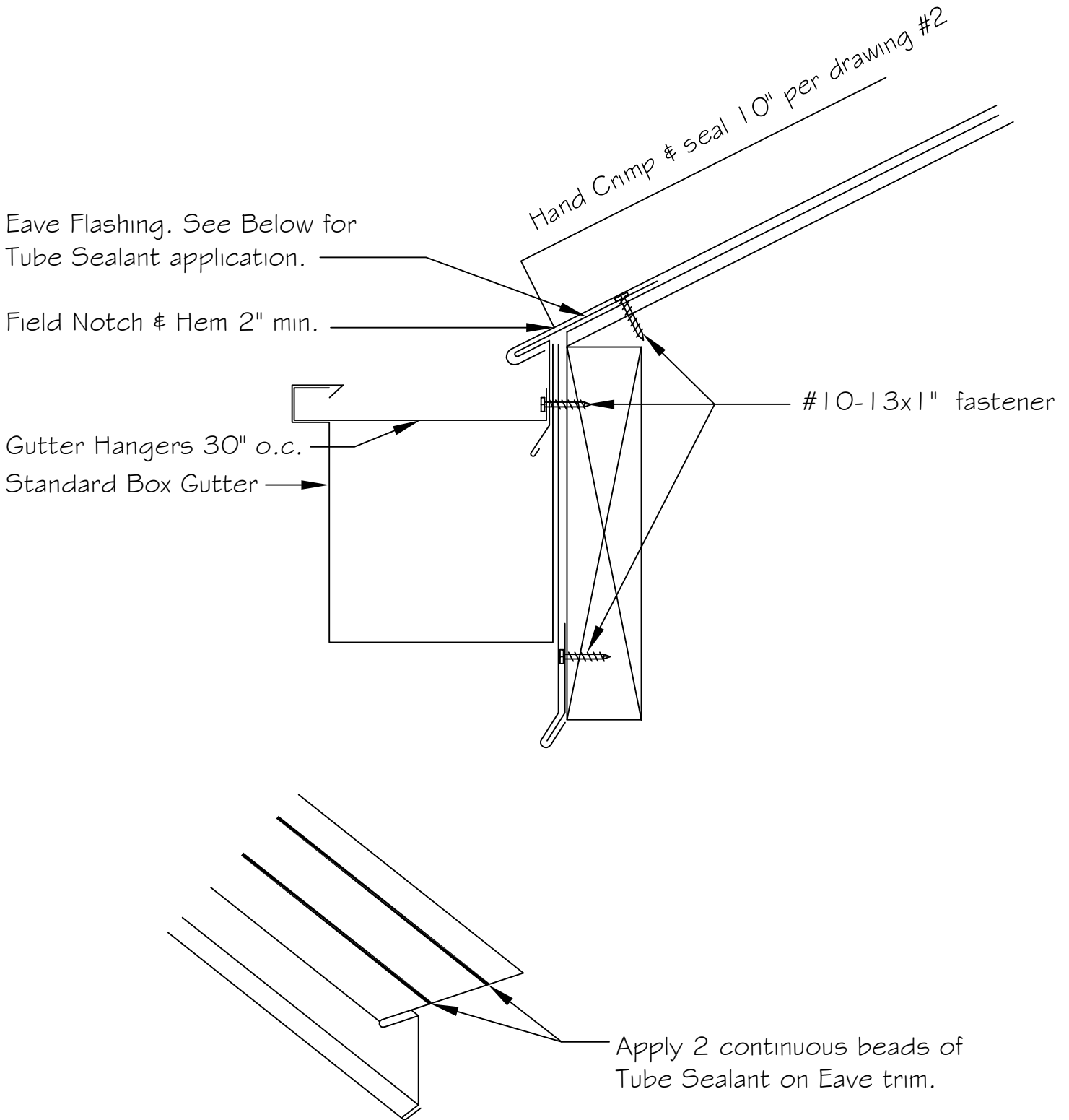
DETAIL: Panel Sealant

SYSTEM: CMP SERIES 1500
DATE:

CMP

SCALE:

DRAWING NO: 2



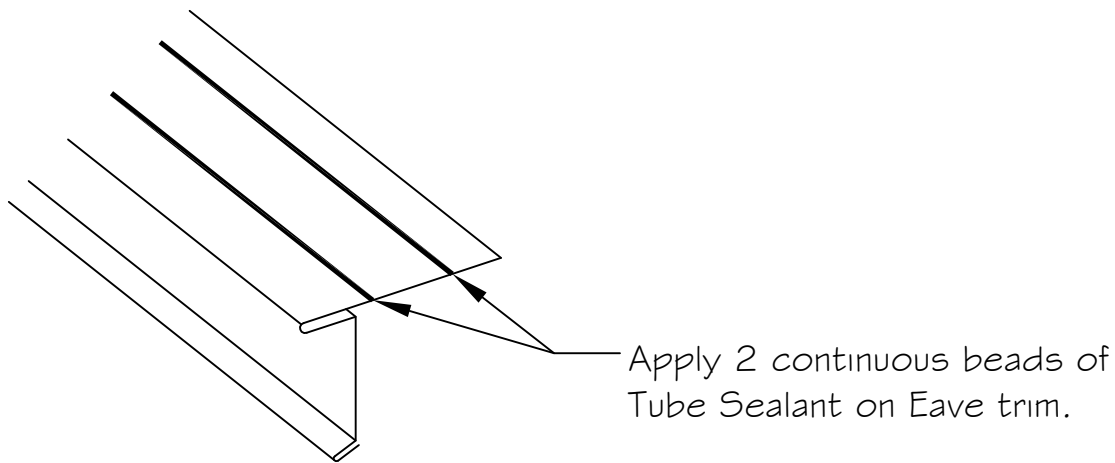
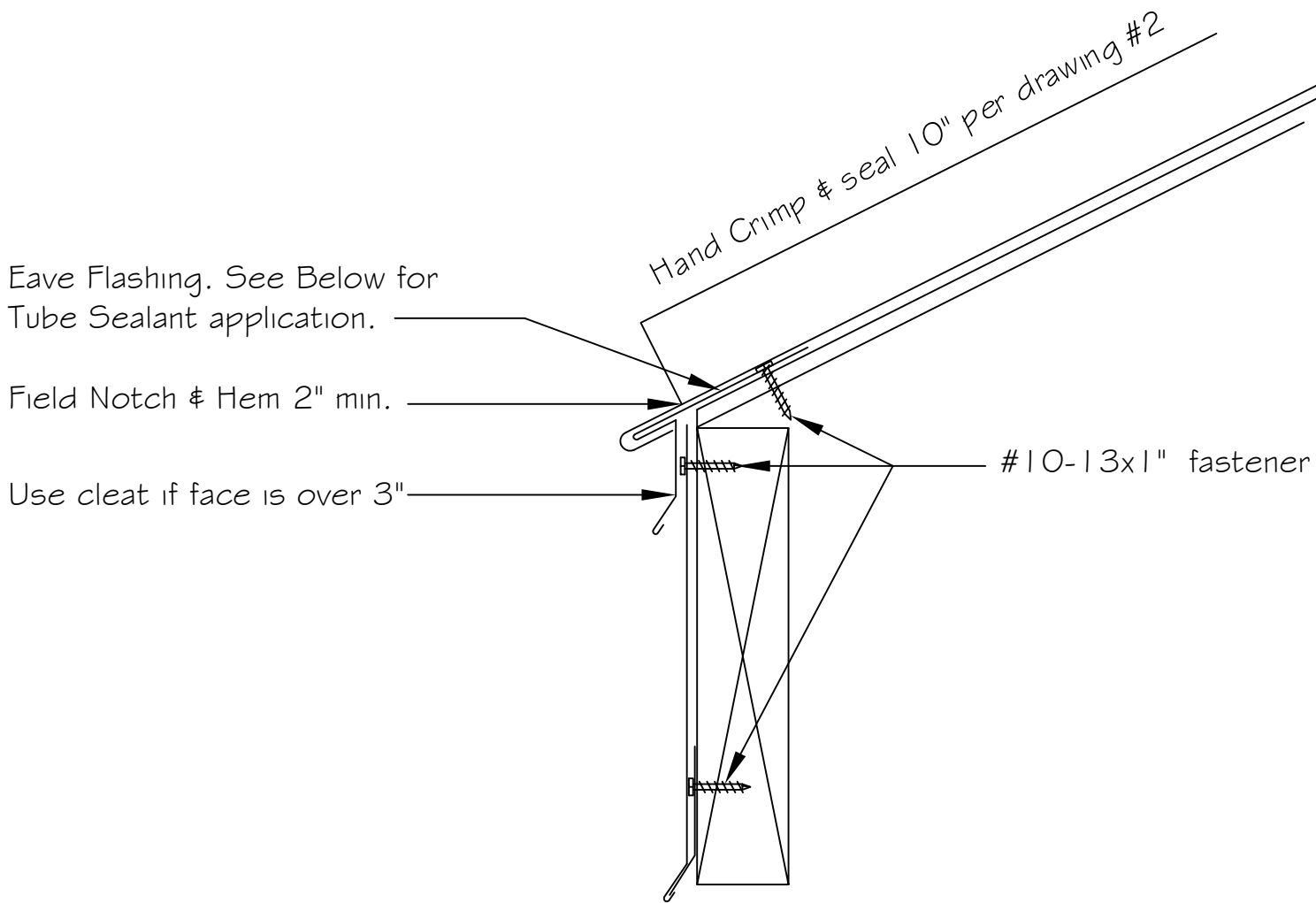
DETAIL: Eave Flashing
with Gutter

SYSTEM: CMP SERIES 1500
DATE:

CMP

SCALE:

DRAWING NO: 3



DETAIL: Locking Eave

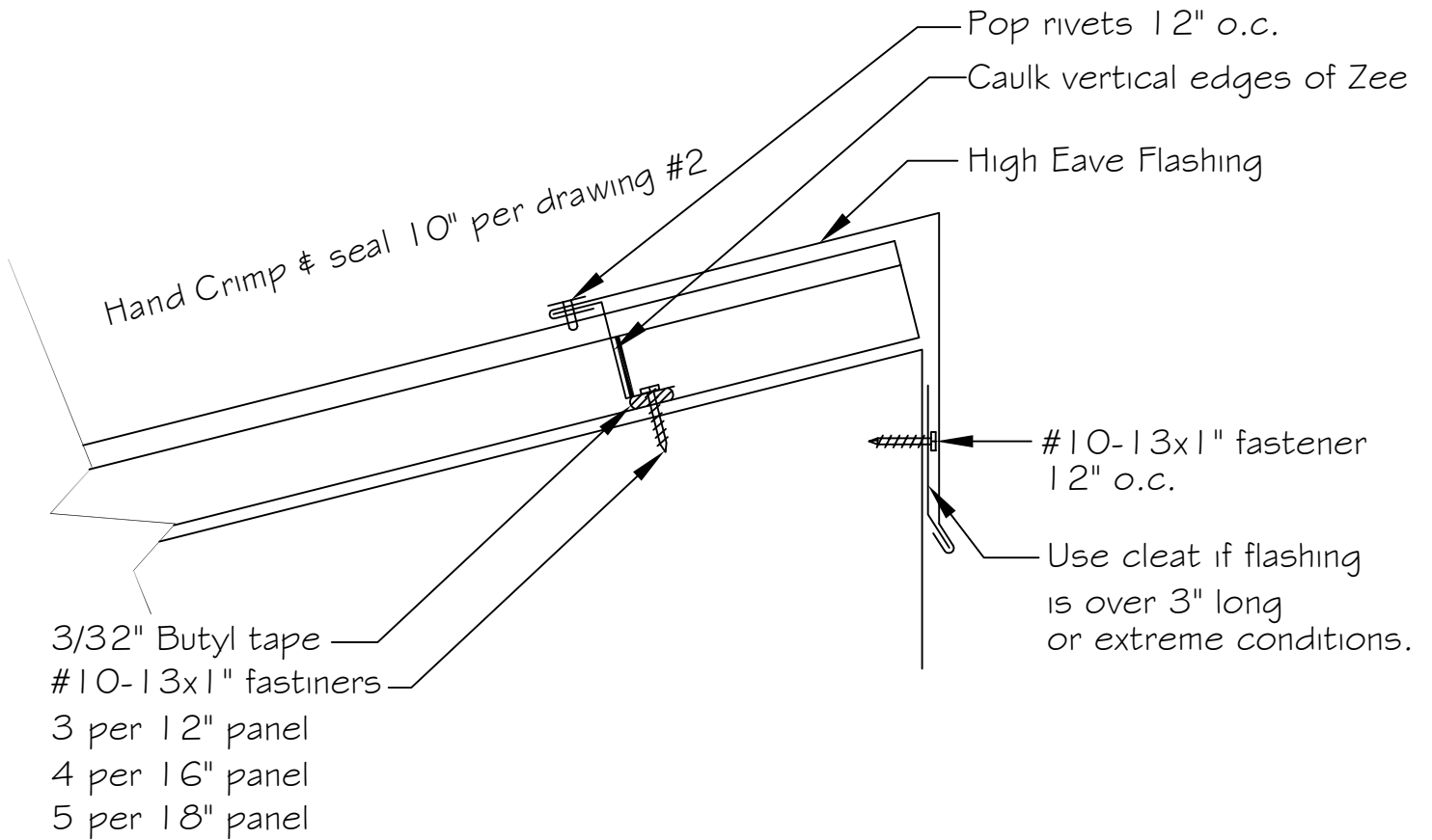
SYSTEM: CMP SERIES 1500
DATE:

CMP

SCALE:

DRAWING NO:

4



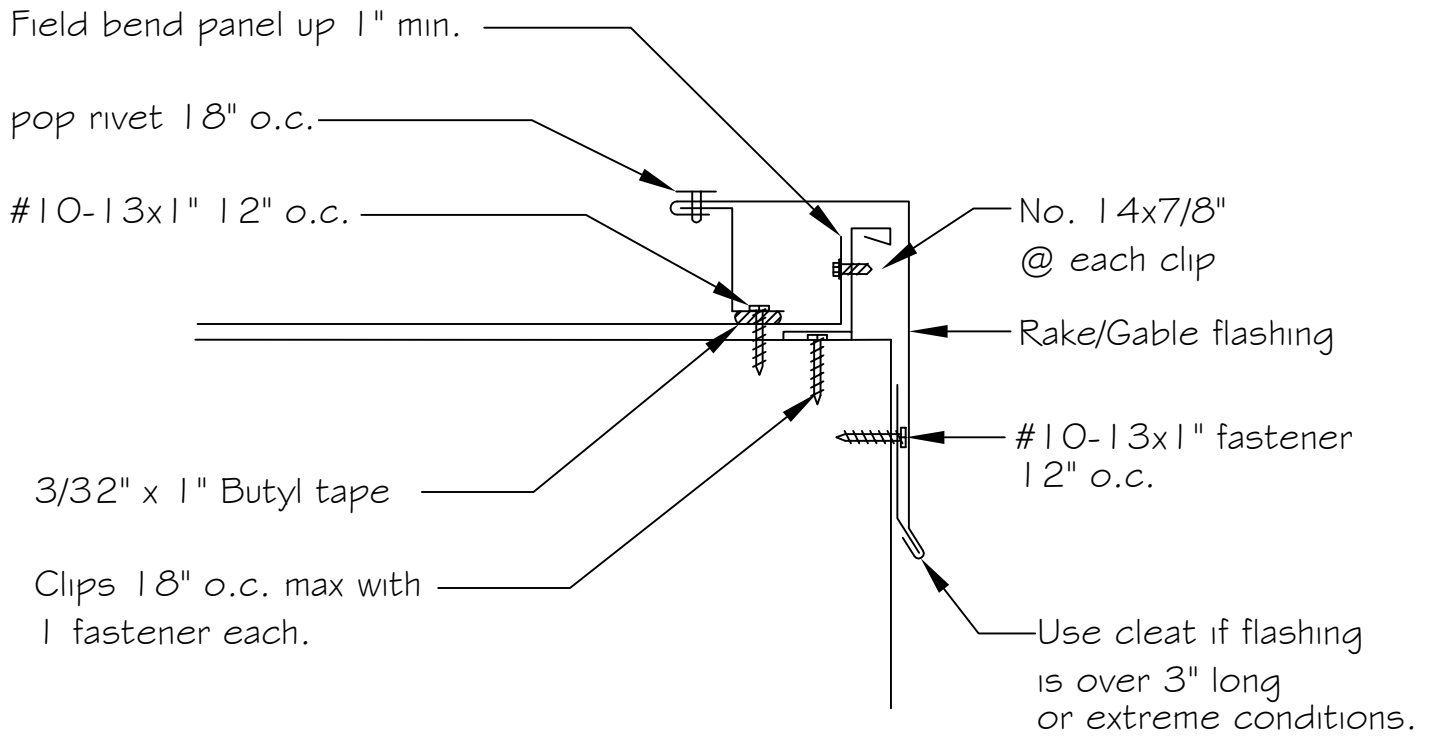
DETAIL: High Eave Flashing

SYSTEM: CMP SERIES 1500
DATE:

CMP

SCALE:

DRAWING NO: 5



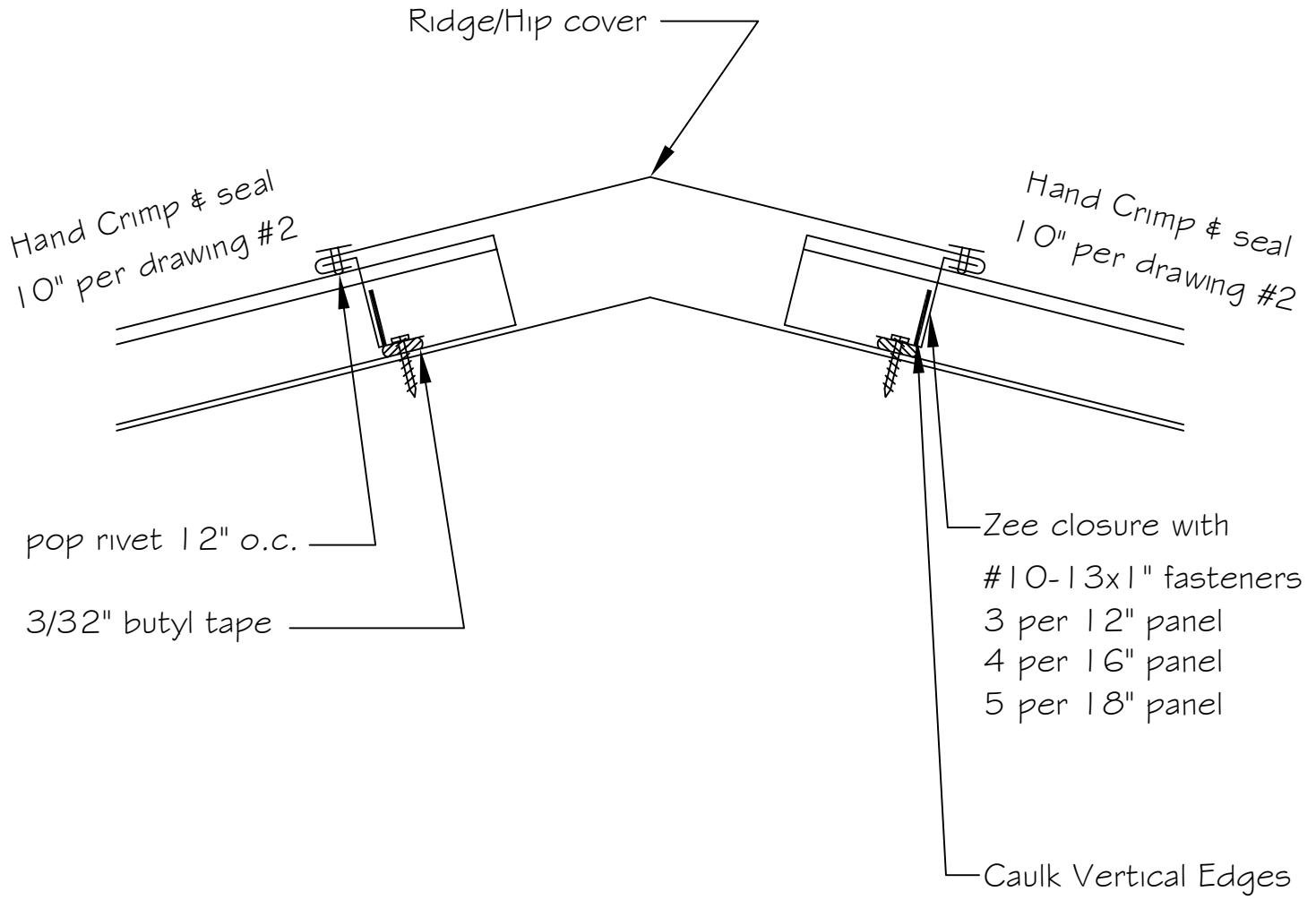
DETAIL: Rake/Gable Flashing

SYSTEM: CMP SERIES 1500
DATE:

CMP

SCALE:

DRAWING NO: 6



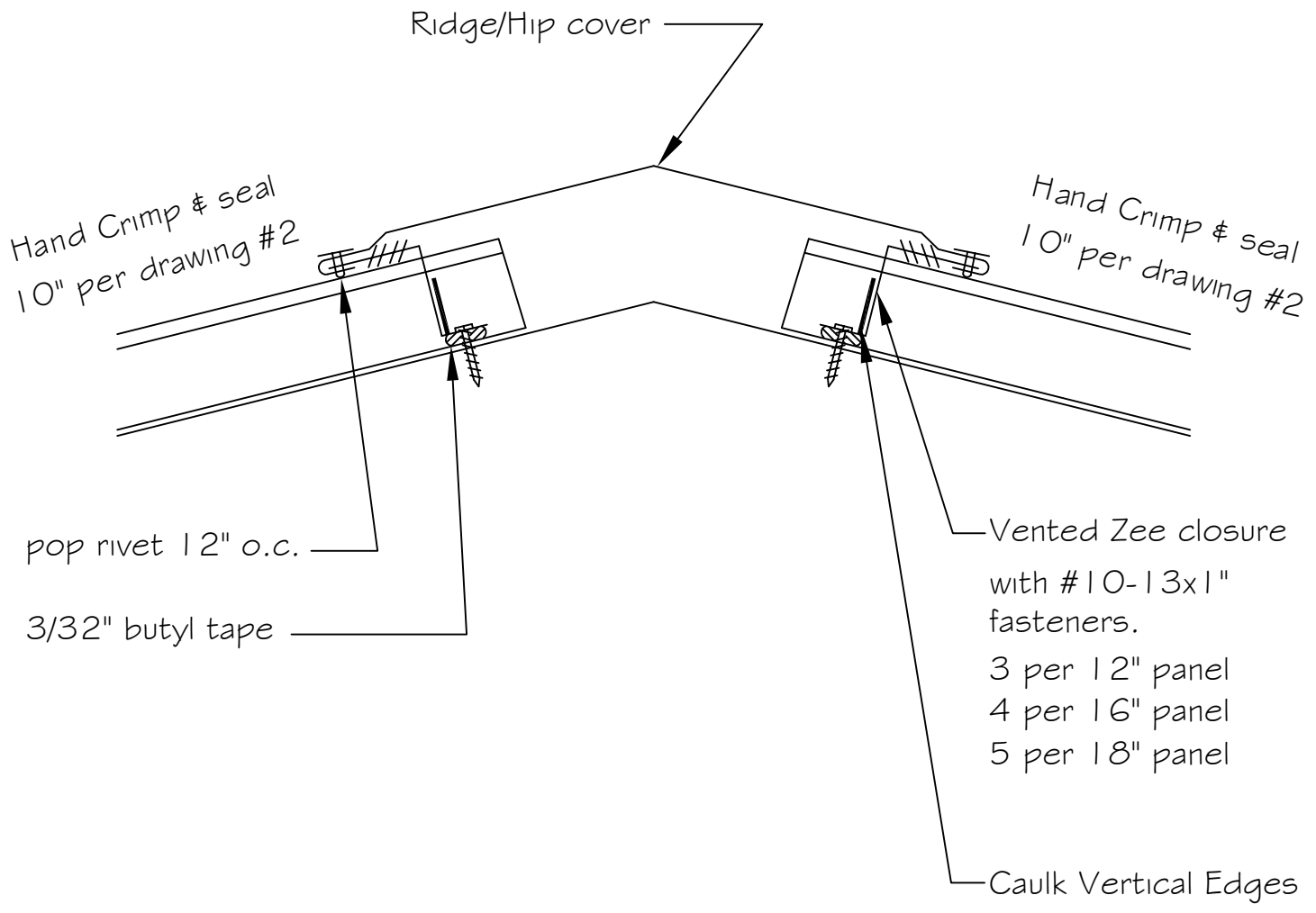
DETAIL: Ridge/Hip Cover

SYSTEM: CMP SERIES 1500
DATE:

CMP

SCALE:

DRAWING NO: 7



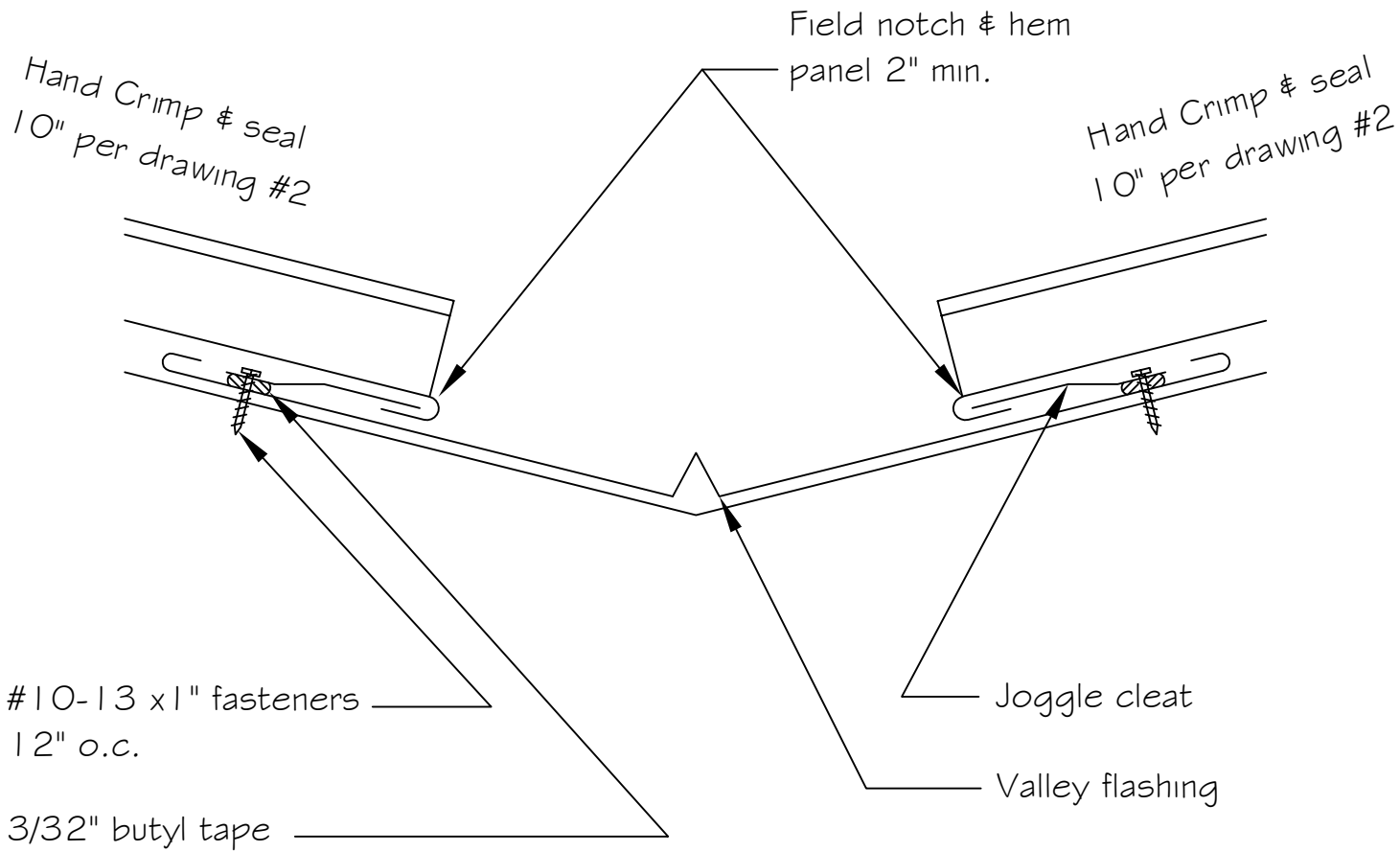
DETAIL: Vented Ridge

SYSTEM: CMP SERIES 1500
DATE:

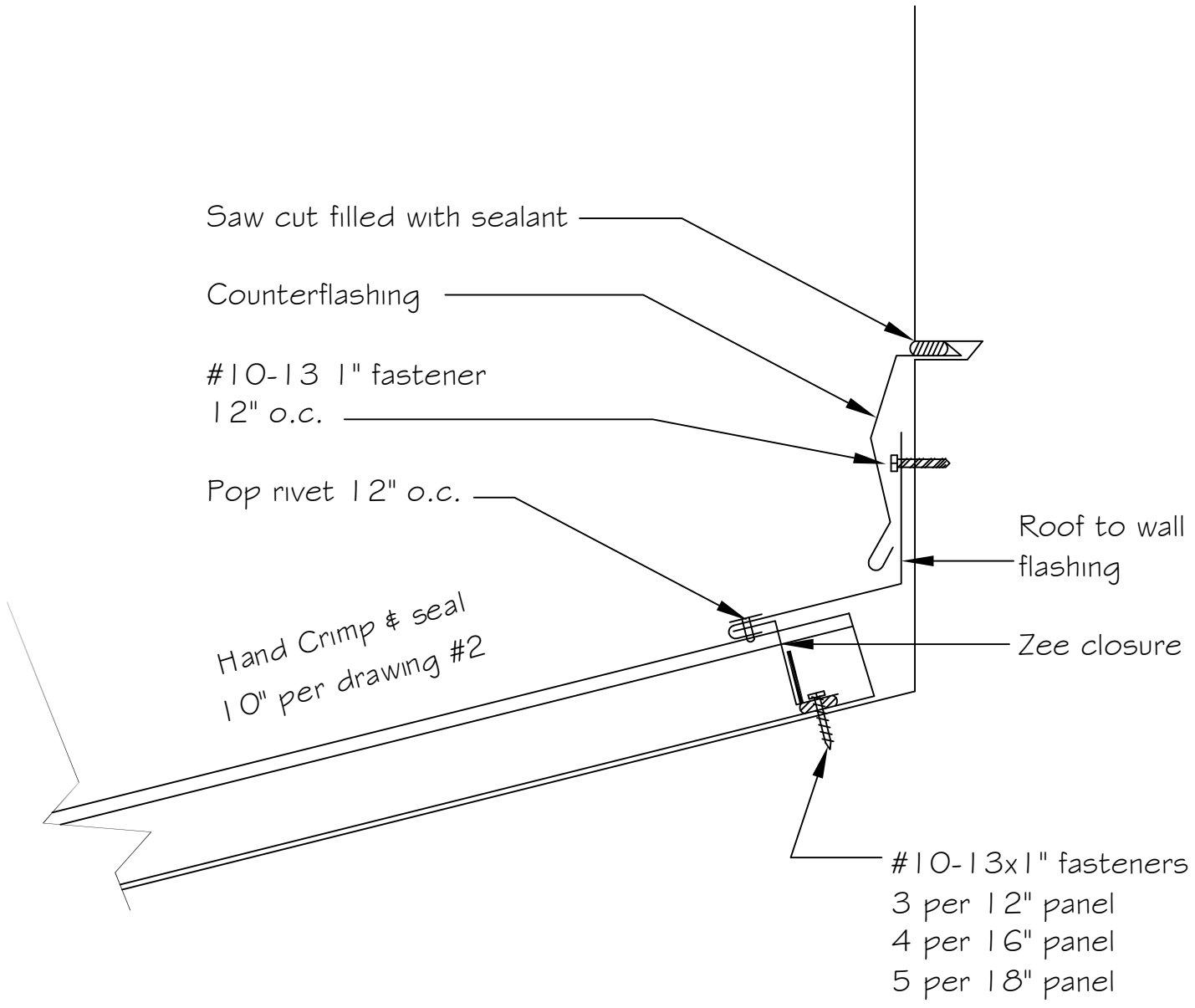
CMP

SCALE:

DRAWING NO: 8



DETAIL: Valley Flashing		SCALE:
SYSTEM: CMP SERIES 1500 DATE:		DRAWING NO: 9



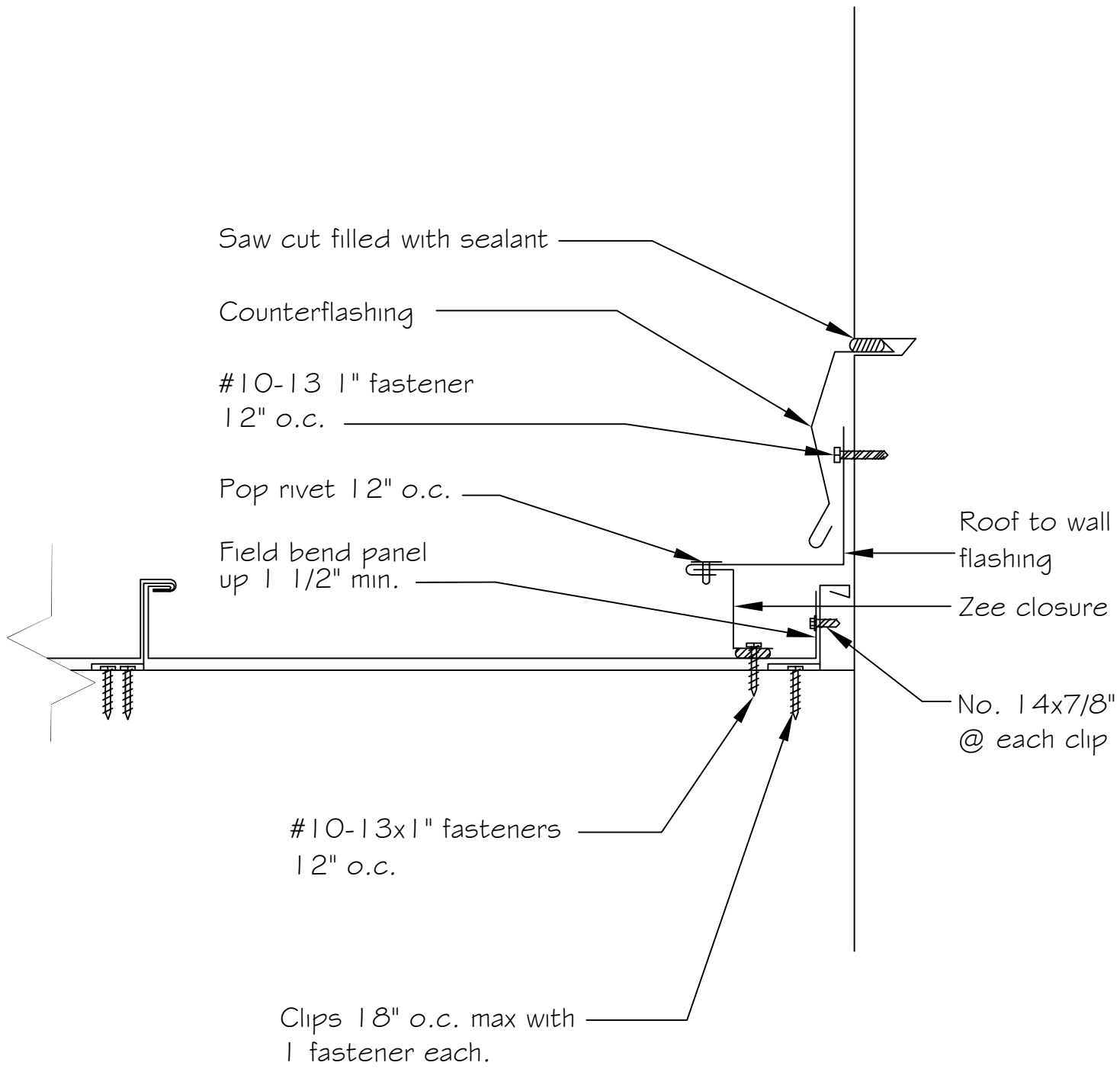
DETAIL: Roof to Wall flashing

SYSTEM: CMP SERIES 1500
DATE:

CMP

SCALE:

DRAWING NO: 10



DETAIL: Pitchbreak flashing		SCALE:
SYSTEM: CMP SERIES 1500 DATE:		DRAWING NO: 11