



ULTRA SEAM - PERIMETER EDGING SYSTEMS

SL SERIES COPING

Manufactured by

Ultra Seam
Metal Roofing &
Siding Systems

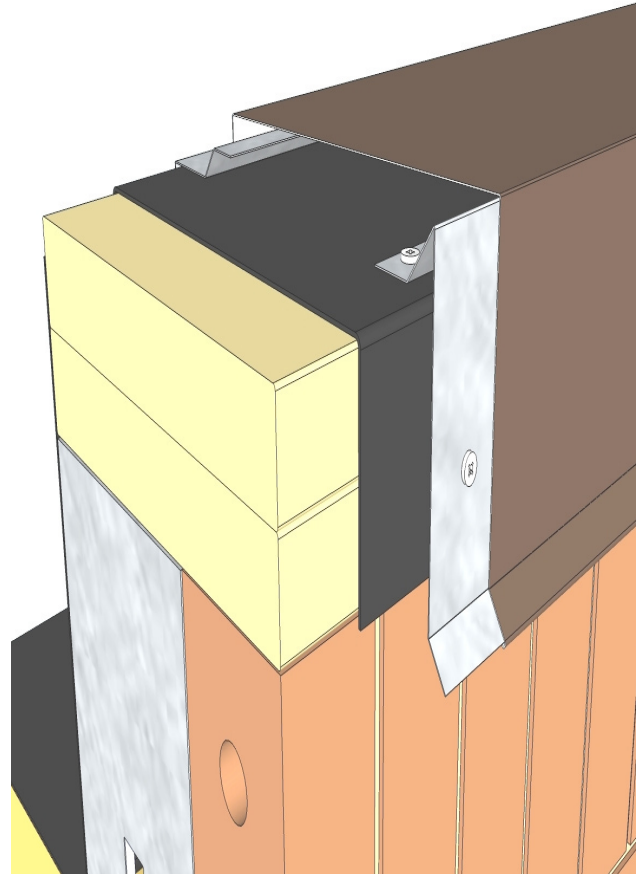
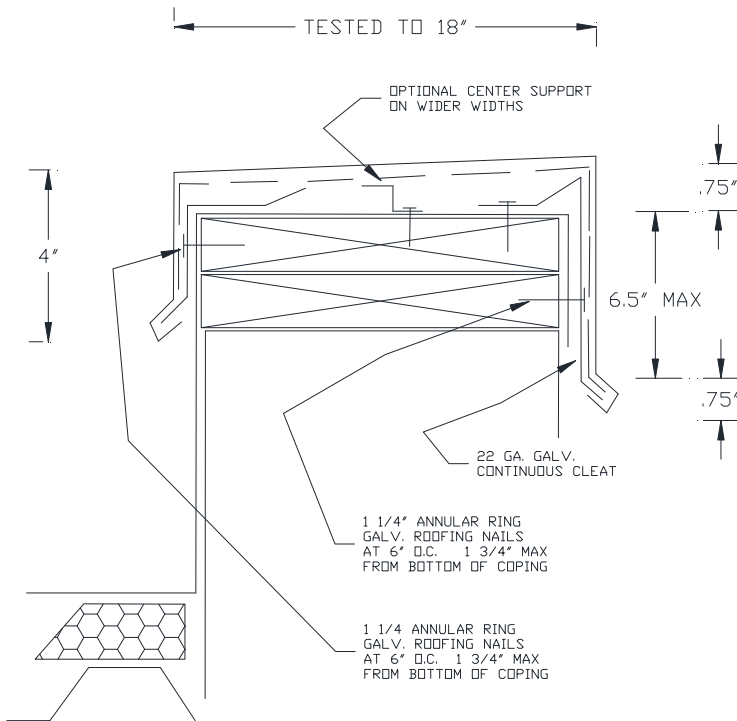
1-800-USI-SEAM
(874-7326)

www.ultraseam.com

The IBC building code requires that all low slope roofing systems (built up asphalt, single ply, modified, etc.) use perimeter metal details that have tested according to the ANSI / SPRI ES-1 testing procedure. This applies to copings, gravel stops, and metal edgings. Most states have adopted the provisions of the IBC building code. ULTRA SEAM has developed a line of coping, gravel stops, and edging that have been tested in both aluminum and steel options. We have standard and snap lok versions of each type of trim.

ES-1 TESTED!

THE ULTRA SEAM SNAP LOK COPING (SL SERIES COPING) IS A SNAP ON STYLE COPING THAT HAS A FAST AND SIMPLE INSTALLATION PROCEDURE THAT REDUCES YOUR LABOR COSTS AND INCREASES PROFITS. THIS SYSTEM ALLOWS YOU TO COMPLETE THE INSTALLATION OF YOUR COPING WITH NO EXPOSED FASTENERS ON THE INSIDE LEG.



SL SERIES (SNAP LOCK) COPINGS ARE AVAILABLE IN VARIOUS METALS. THEY ARE ES-1 TESTED IN 24 GA. STEEL AND .040 ALUMINUM. MAXIMUM TESTED FACE